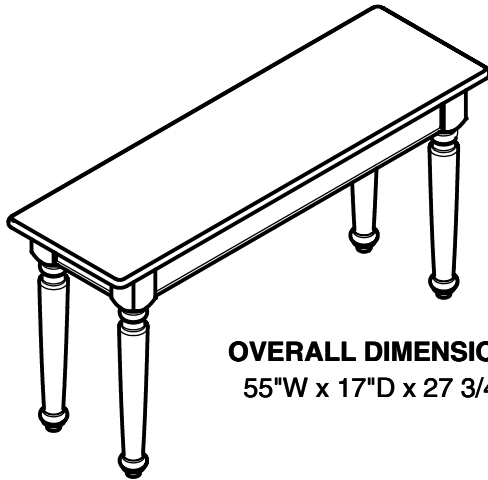


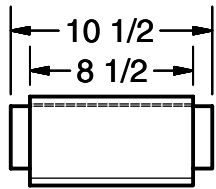
# Sofa Table

FOR CONSTRUCTION NOTES SEE WOODSMITH #135

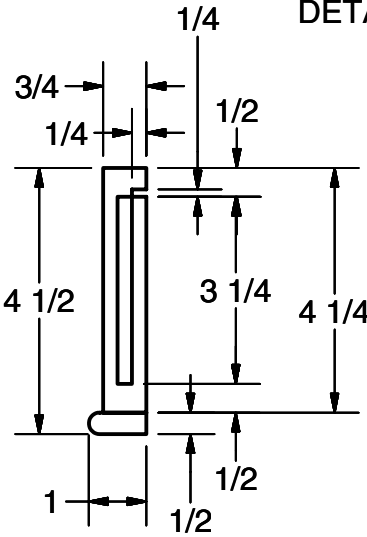
Copyright 2001, August Home Publishing Company.  
All Rights Reserved.



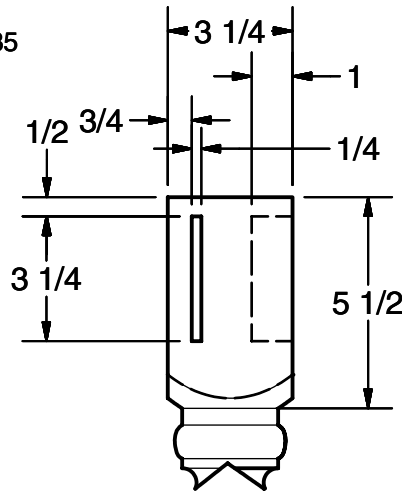
**OVERALL DIMENSIONS:**  
55"W x 17"D x 27 3/4"H



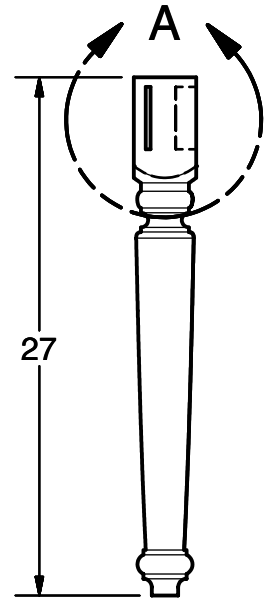
END RAIL/BEAD



TYPICAL END VIEW



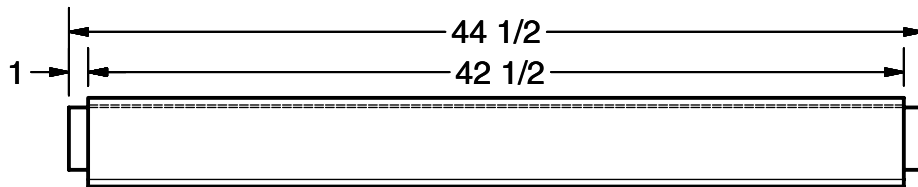
DETAIL A



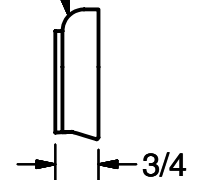
LEG

**NOTE:** ALL TENONS ARE  
1/4" THICK, CENTERED ON  
THICKNESS OF STOCK

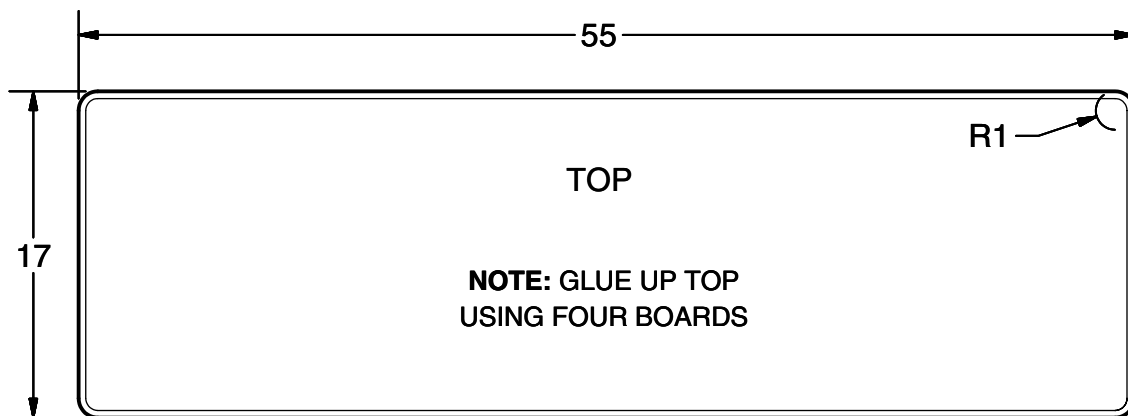
1/2" ROUNDOVER  
WITH 1/8" SHOULDER



SIDE RAIL/BEAD

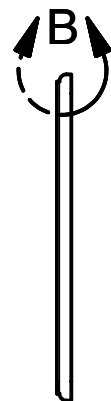


DETAIL B



TOP

**NOTE:** GLUE UP TOP  
USING FOUR BOARDS

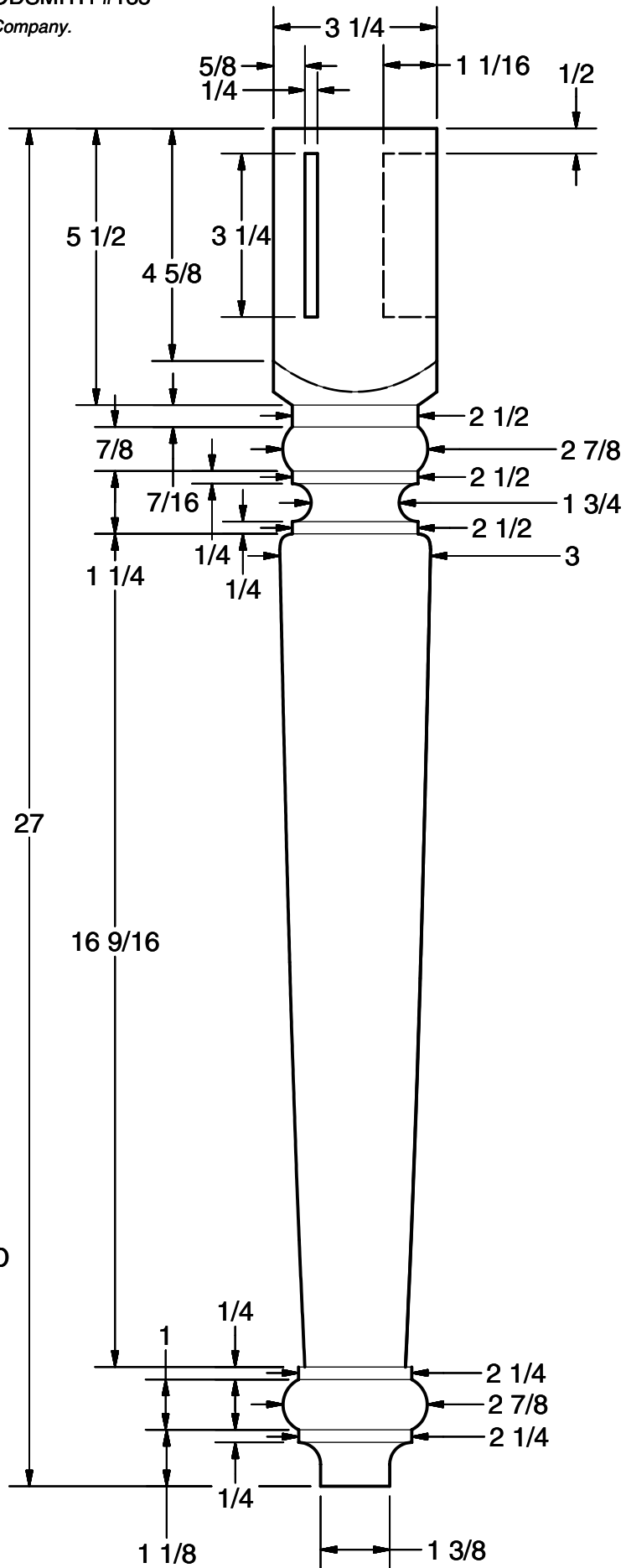
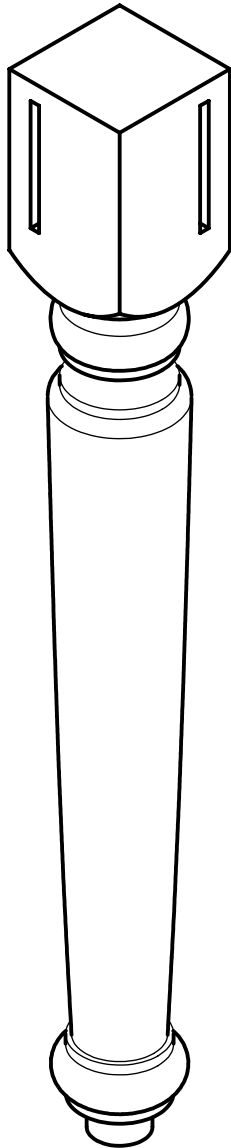


DETAIL B

# Sofa Table Leg Pattern

FOR CONSTRUCTION NOTES SEE WOODSMITH #135

Copyright 2001, August Home Publishing Company.  
All Rights Reserved.



**NOTE:** TO END UP WITH A LEG THAT WAS 27" LONG, WE PURCHASED 29"-LONG LEGS (BB29P) FROM GRAND RIVER WOOD PRODUCTS (800-475-4001) AND CUT 2" OFF THE TOP.