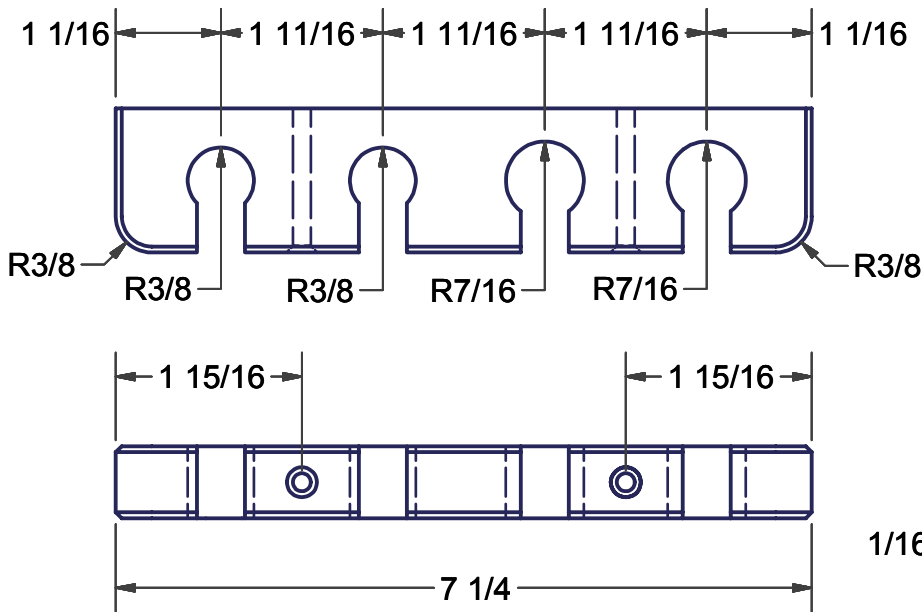
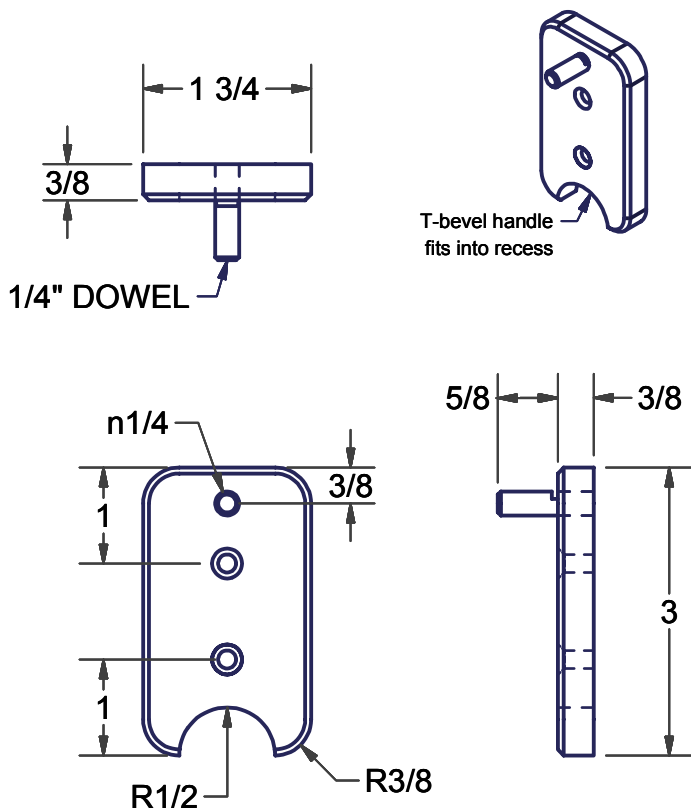
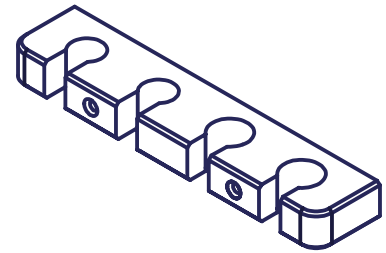


# Tool Holders

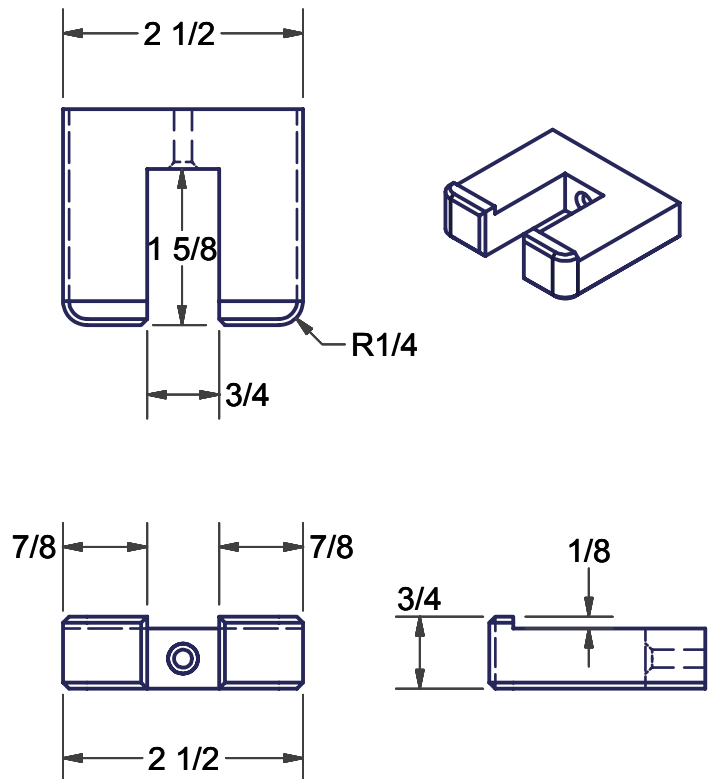
WALL CABINET - WOODSMITH No. 141  
 Copyright 2002, August Home Publishing Company.  
 All Rights Reserved.



**Chisel Rack**



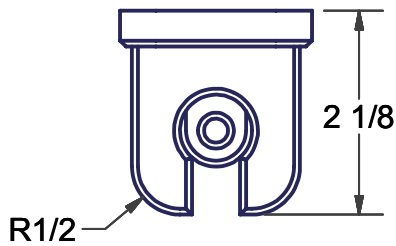
**T-Bevel Holder**



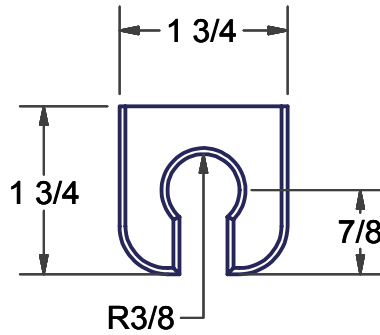
**Marking Gauge Holder**

# Tool Holders

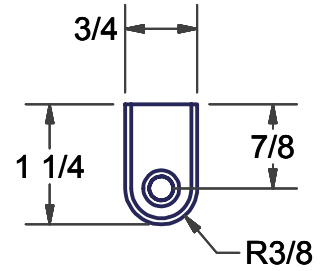
WALL CABINET - WOODSMITH No. 141  
 Copyright 2002, August Home Publishing Company.  
 All rights Reserved.



**Top View**

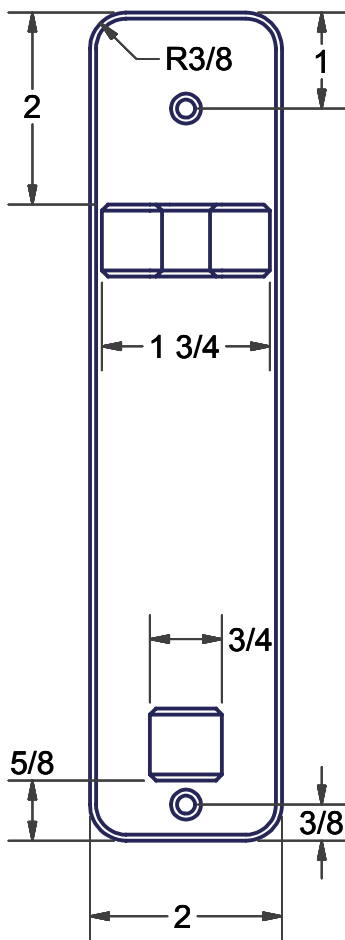


**Ferrule Bracket (Detail)**

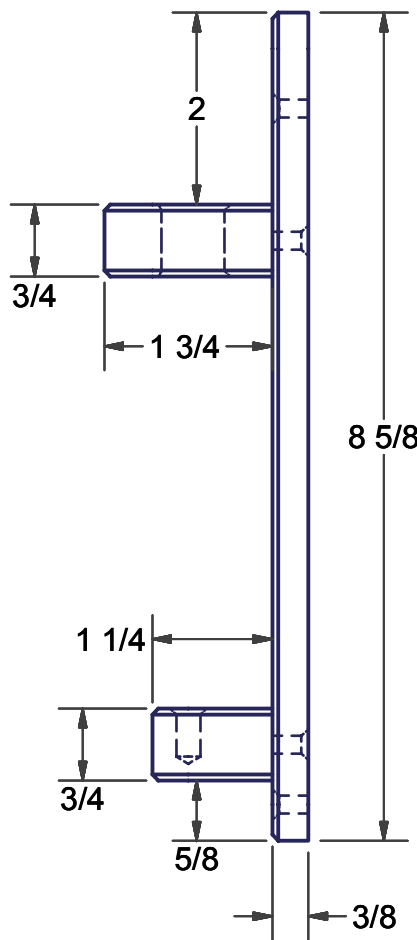


1/4" dia. hole,  
 1/2" deep

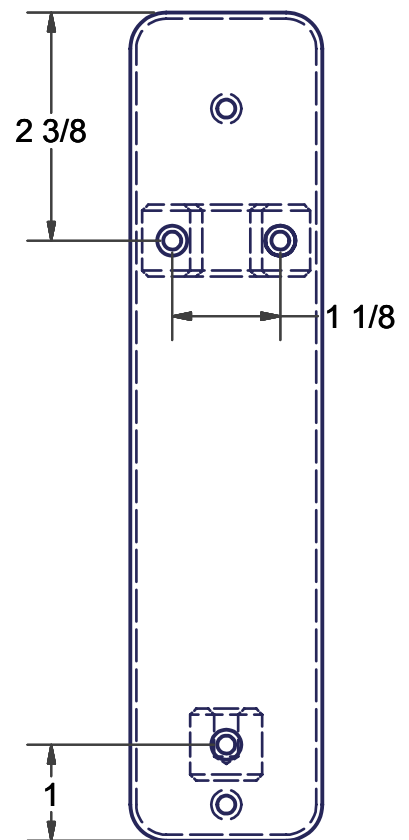
**Point Guard (Detail)**



**Front View**



**Side View**



**Back View**

## Scratch Awl Holder

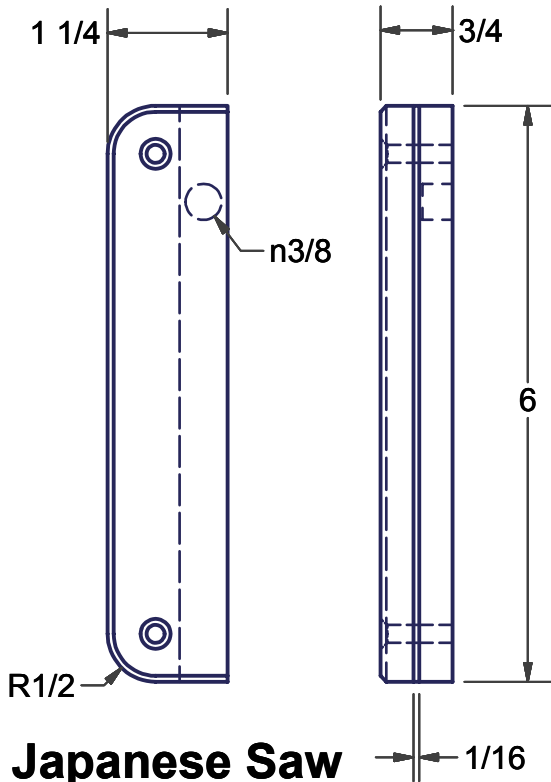
# Tool Holders

WALL CABINET \_ WOODSMITH No. 141

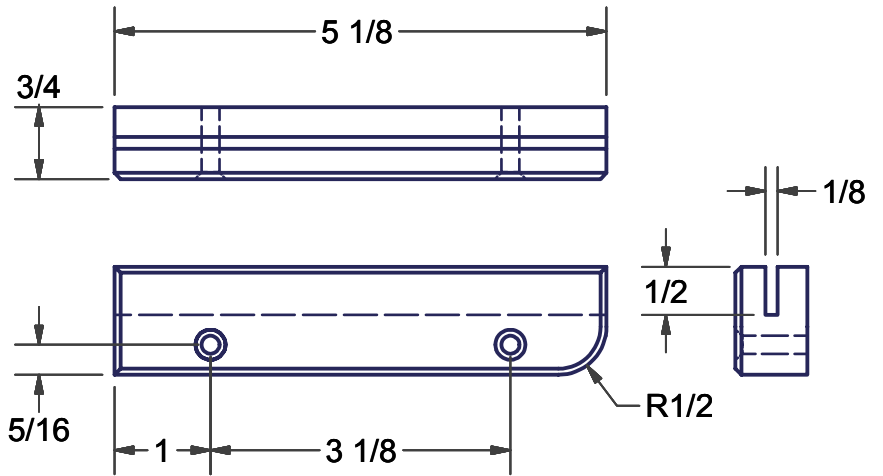
Copyright 2002, August Home Publishing Company.

All rights reserved

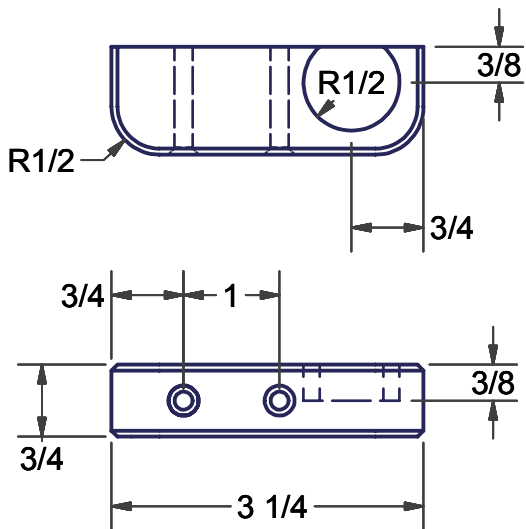
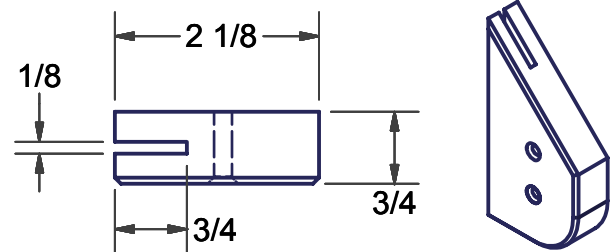
**Note:** A 3/8" rare earth magnet can be counterbored into the guard to hold the blade



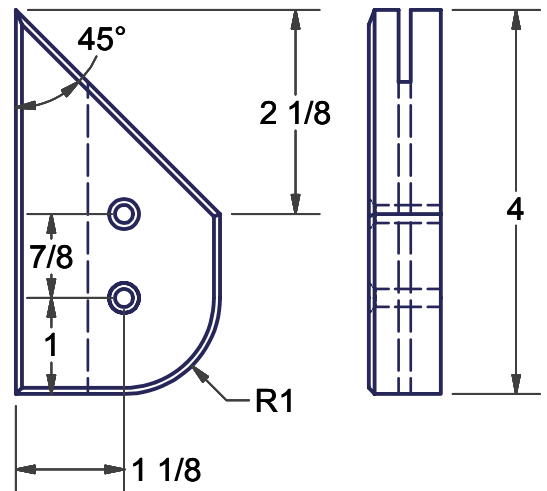
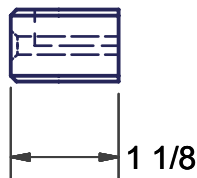
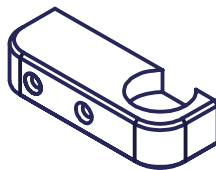
**Japanese Saw  
Blade Guard**



**Square Holder**



**Japanese Saw  
Handle Base**



**Combination Square  
Holder**