



ARCH-TOP HEADBOARD PATTERN: KING

Correction Note

The dimensions given on page 14 to build a king-size headboard are incorrect. The corrections to the dimensions are as follows:

1. The top and bottom rails should be 72" long.
2. The center panel will be 40" wide and approximately 30" tall.
3. The king-size half pattern should be 36" wide, not 34" as shown. The half-pattern you download will be the correct size.

Using these dimensions, the headboard will fit a standard king-size mattress (76" wide). But you should double-check the size of your mattress before beginning construction.

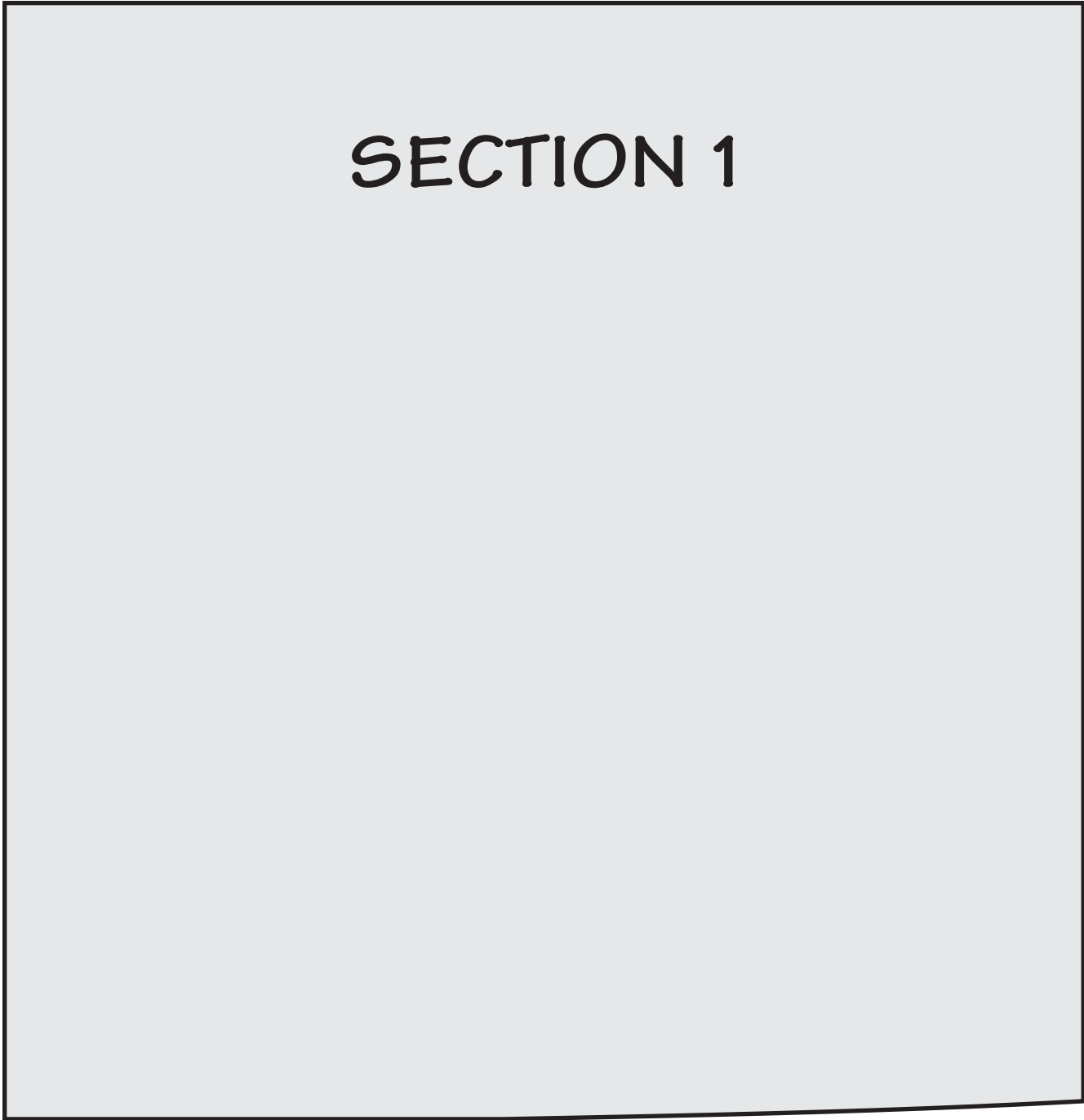
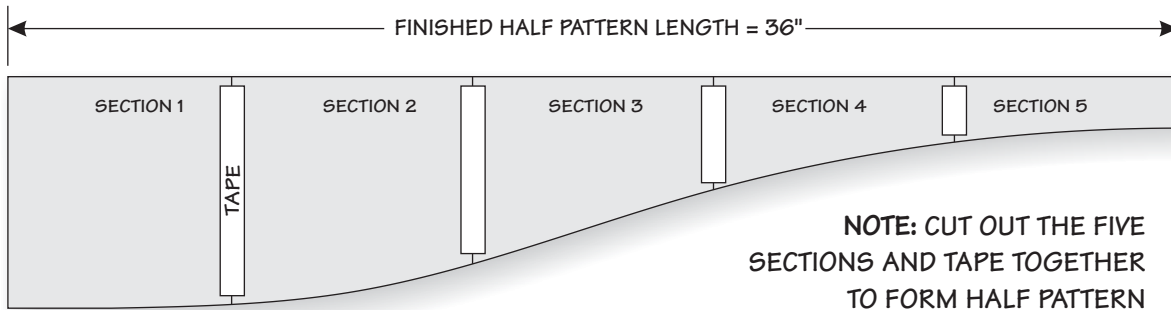
Printing Notes

Please note the following printer settings before you print:

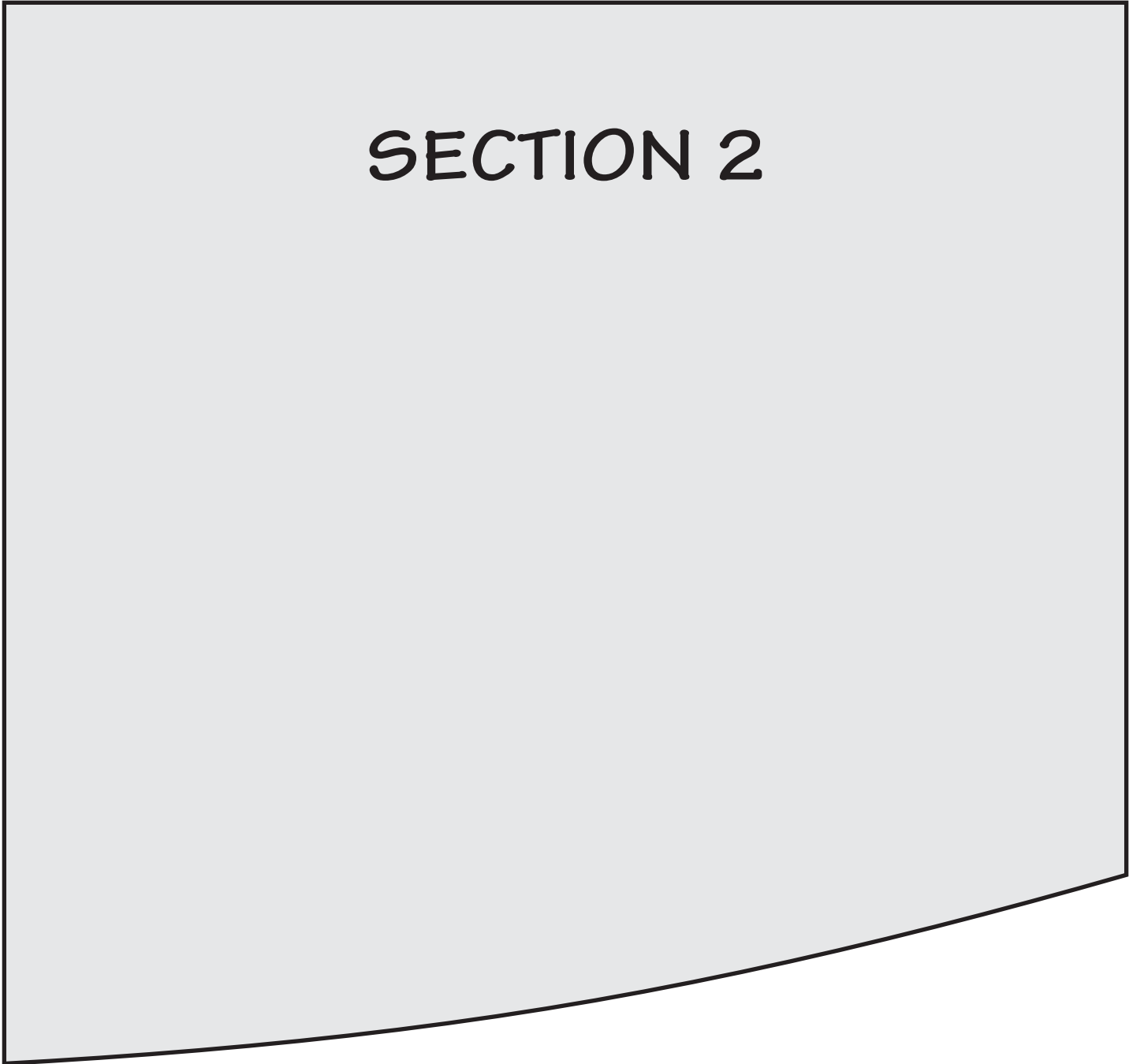
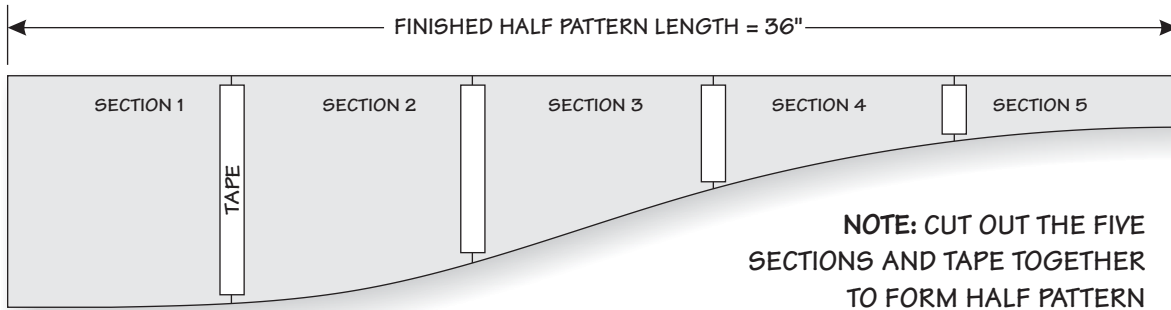
1. DO NOT check the box labeled SHRINK or EXPAND pages.
2. If available, set PAGE SCALING to NONE.

After all sections are taped together,

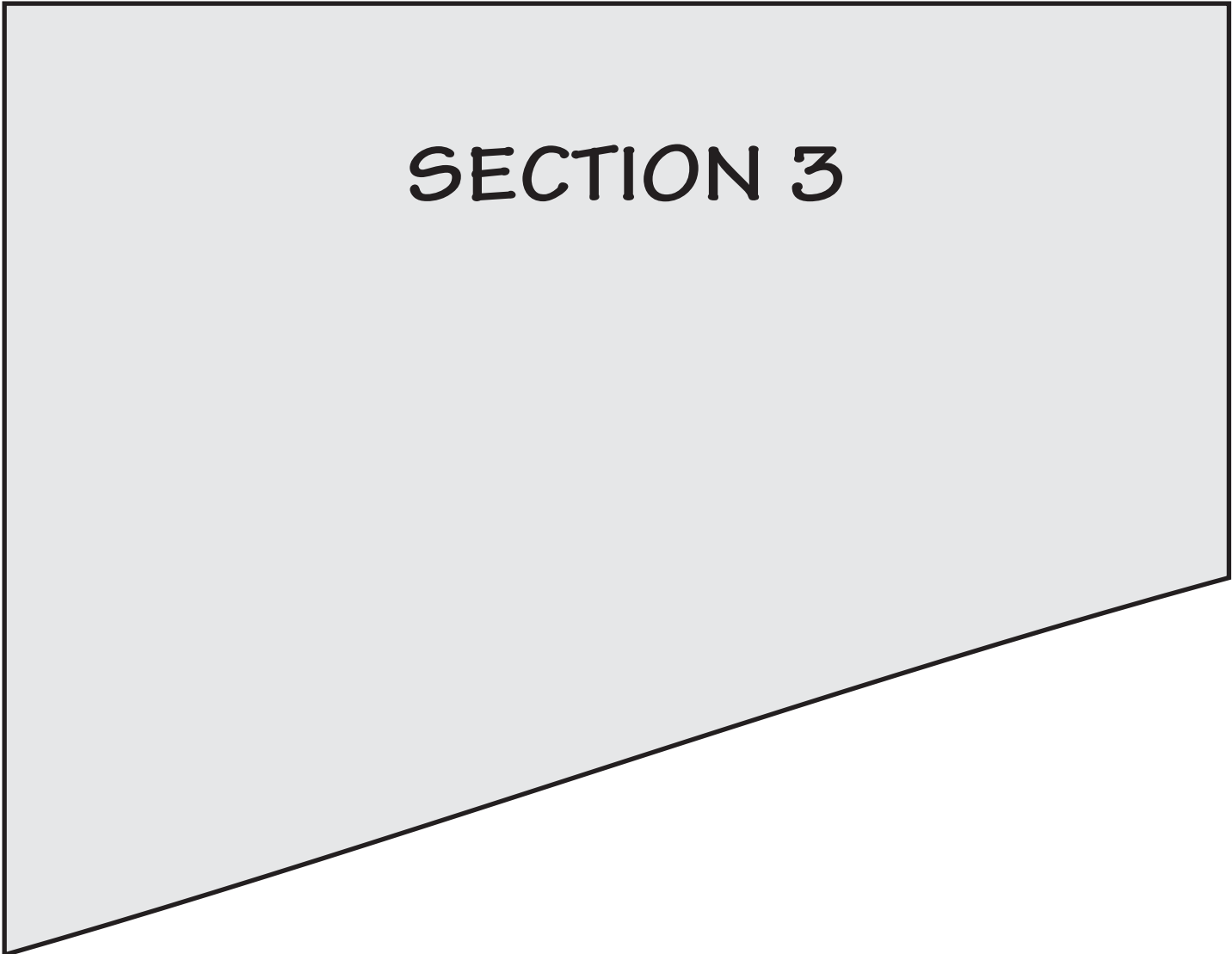
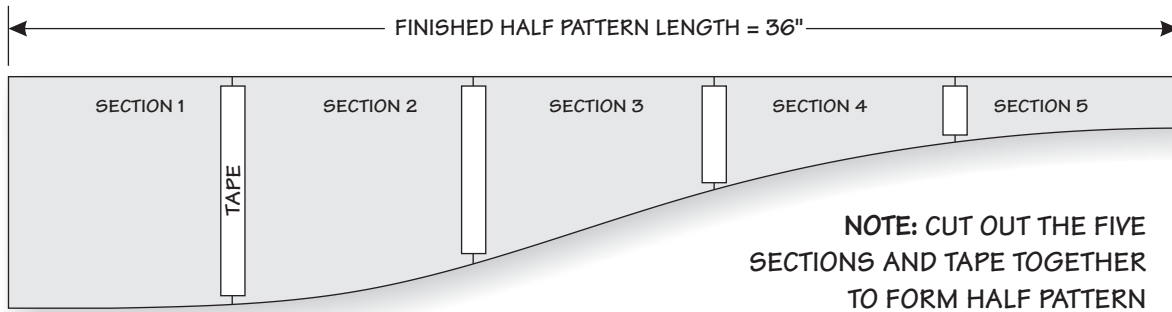
the KING-SIZE PATTERN should measure approximately 36"



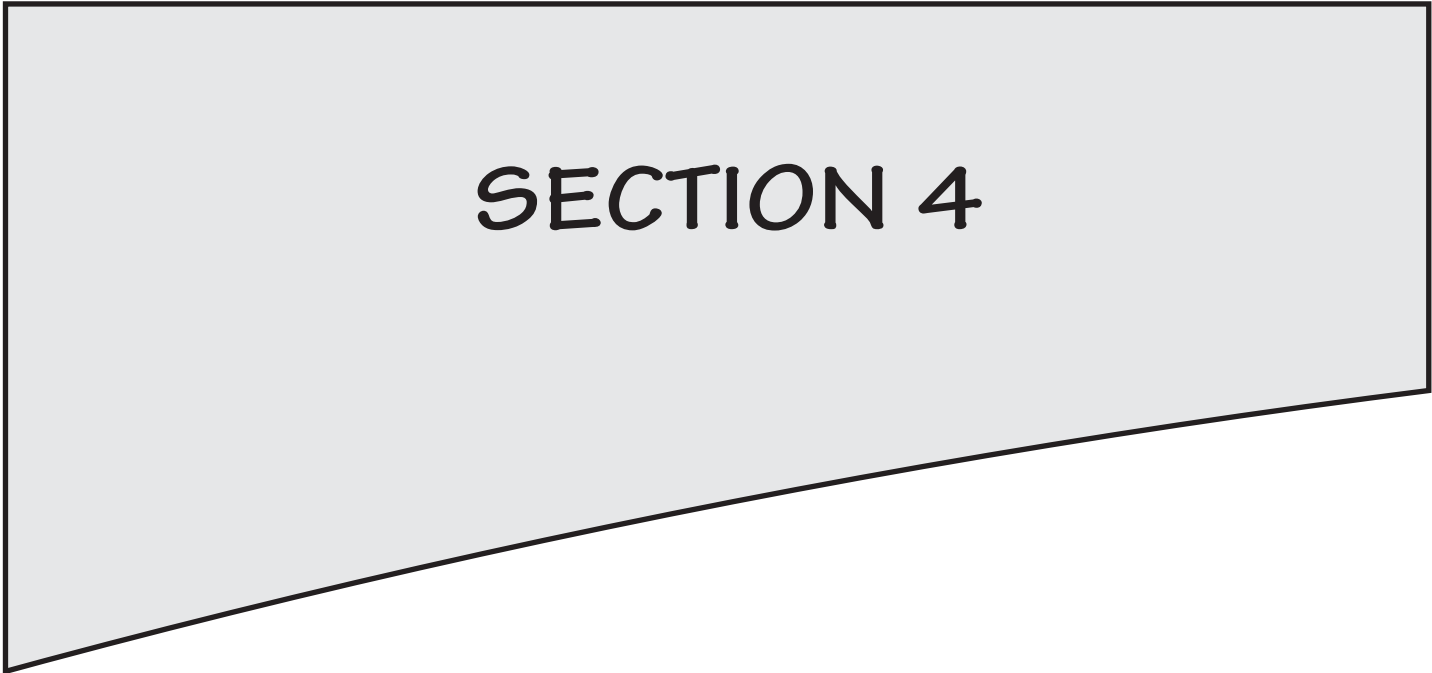
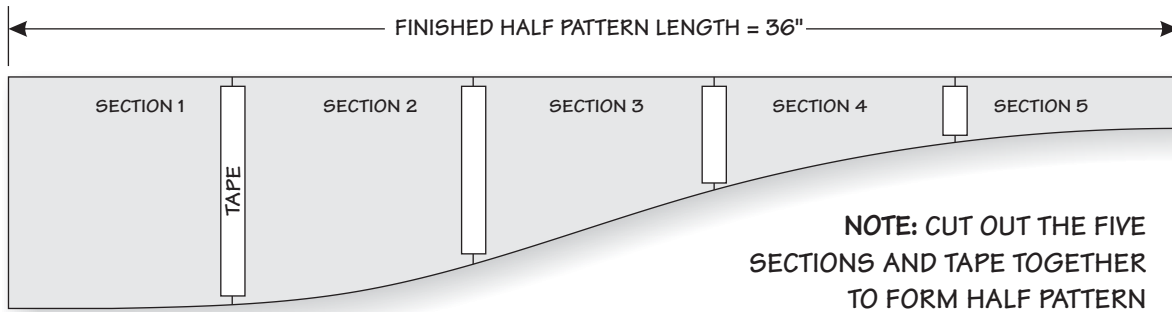
DEPARTMENT:	WOODSMITH #145	PAGE NO:
ONLINE EXTRAS	ARCHED-TOP HEADBOARD: KING-SIZED HALF PATTERN	1-5



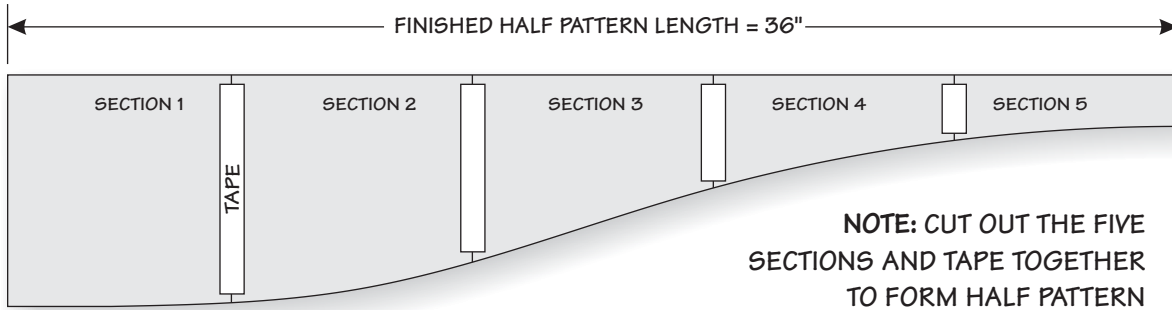
DEPARTMENT:	WOODSMITH #145	PAGE NO:
ONLINE EXTRAS	ARCHED-TOP HEADBOARD: KING-SIZED HALF PATTERN	2-5



DEPARTMENT:	WOODSMITH #145	PAGE NO:
ONLINE EXTRAS	ARCHED-TOP HEADBOARD: KING-SIZED HALF PATTERN	3-5



DEPARTMENT:	WOODSMITH #145	PAGE NO:
ONLINE EXTRAS	ARCHED-TOP HEADBOARD: KING-SIZED HALF PATTERN	4-5



DEPARTMENT:	WOODSMITH #145	PAGE NO:
ONLINE EXTRAS	ARCHED-TOP HEADBOARD: KING-SIZED HALF PATTERN	5-5