

## Night Stand

change the style with a cove molding top and pedestal base



By simply making a new top and base, you can give the night stand a more classic look. And then, adding a few edge treatments to the base and top will make them stand out to complete the change. I finished both assemblies the same as the case. By the way, the knobs on the drawer and door are also finished this way.

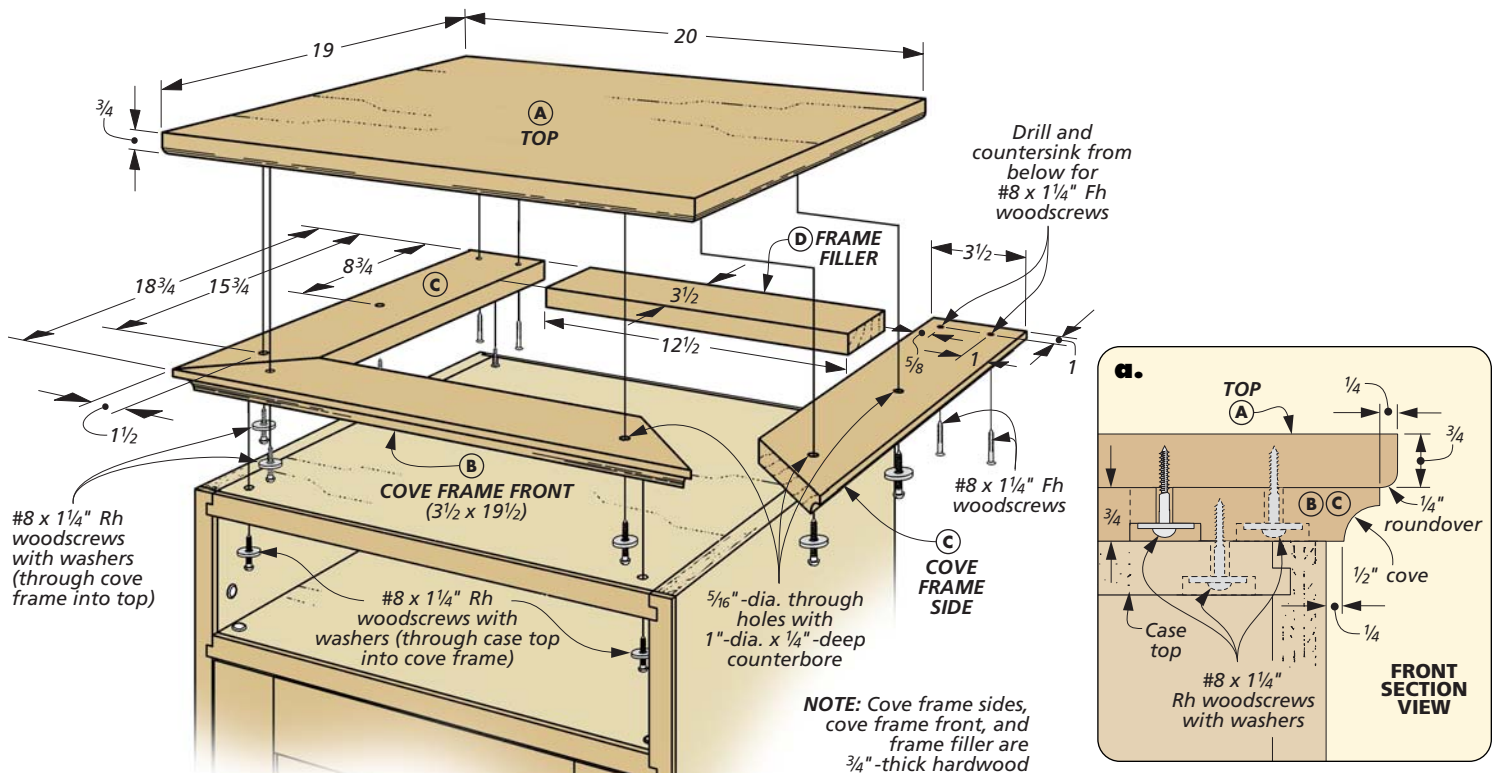
**BUILT UP TOP.** Instead of a single top panel shown in the magazine, I went with a "built-up" style by adding a frame beneath it, as you can see in the drawing below. The frame is mitered at the front and then has a  $\frac{1}{2}$ "-radius cove routed

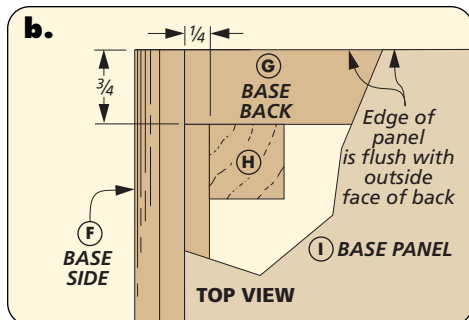
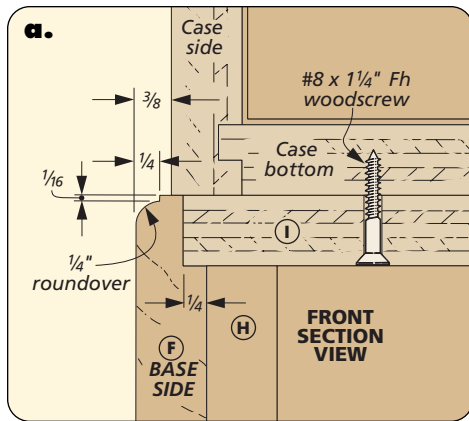
into the front and sides, as you can see in detail 'a.'

The new top panel is the same size as the original, but instead of a crisp chamfer, I routed a  $\frac{1}{4}$ " roundover on the bottom edges of the top (except the back edge) to complement the cove molding below it. On the top edges, simply ease the sharp edges with some sandpaper.

When it comes time to attach the new top to the case, you'll have to

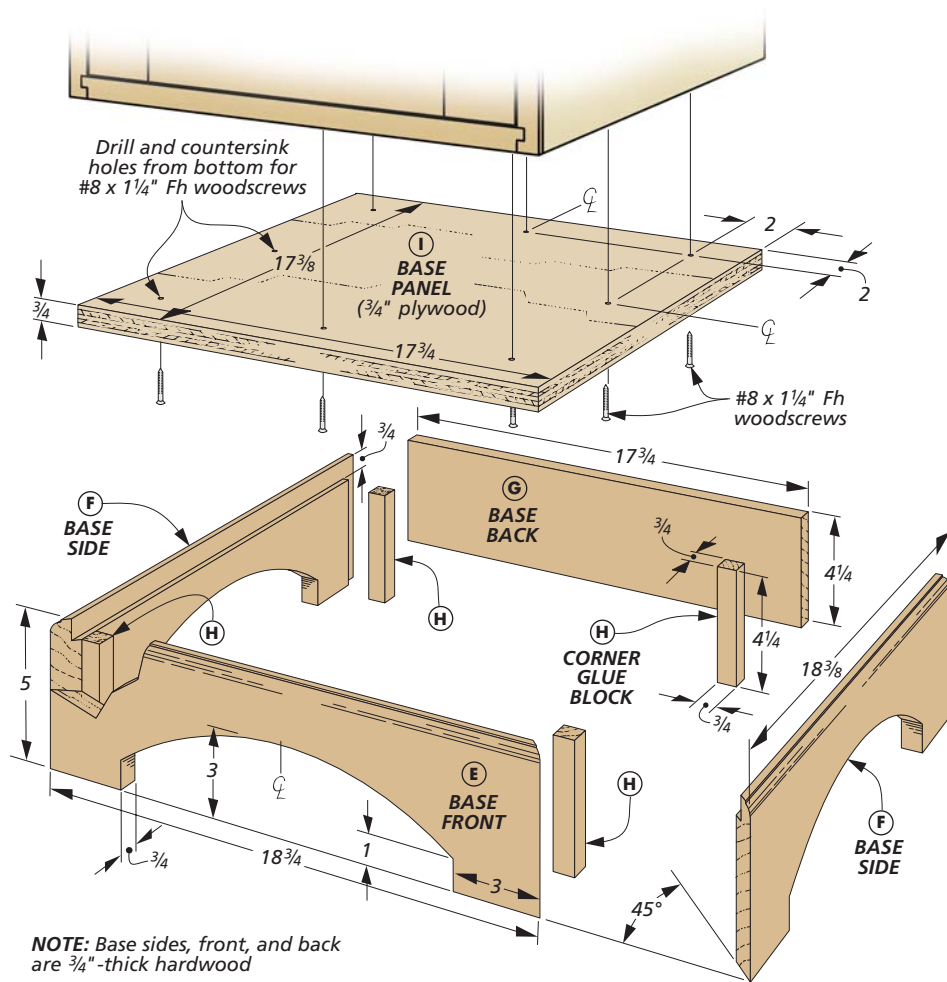
add an additional step. First, the cove frame needs to be screwed to the top panel. I drilled oversize holes and used washers and roundhead screws to allow the top to expand and contract, as illustrated in detail 'a.' This assembly can then be screwed to the case.





**MITERED BASE.** The base is pretty straightforward, as you can see in the drawing at right. It consists of a mitered frame holding a plywood panel that is used to attach the base to the case. There are just a few details on the base that I should mention.

First, a roundover is routed along the top edge of the front and sides to create a molded edge. I left a small shoulder, as you can see in detail 'a' above, to create a



shadow line. Second, I cut an arch in the front and sides to lighten up the base.

The final detail to note is that I wanted to beef up the frame joints between the front (E), sides (F) and back (G). So I added 3/4"-square hardwood glue blocks to the inside of all four of the corner joints.

Before gluing the base frame together, I cut a rabbet on the top inside edges of each part (except the back) to hold the 3/4" plywood panel, as shown in detail 'b.' After drilling and countersinking some mounting holes, the base can be glued and screwed in place from below. **W**

## Materials, Supplies, & Cutting Diagram

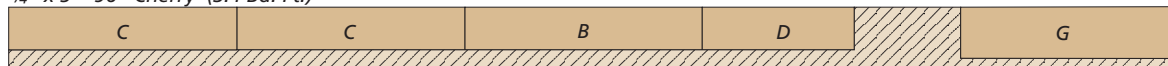
<b>A</b> Top (1)	3/4 x 19 - 20	<b>G</b> Base Back (1)	3/4 x 4 1/4 - 17 3/4
<b>B</b> Cove Frame Front (1)	3/4 x 3 1/2 - 19 1/2	<b>H</b> Corner Glue Blocks (4)	3/4 x 3/4 - 4 1/4
<b>C</b> Cove Frame Sides (2)	3/4 x 3 1/2 - 18 3/4	<b>I</b> Base Panel (1)	3/4 ply. - 17 7/8 x 17 3/4
<b>D</b> Frame Filler (1)	3/4 x 3 1/2 - 12 1/2		
<b>E</b> Base Front (1)	3/4 x 5 - 18 3/4		
<b>F</b> Base Sides (2)	3/4 x 5 - 18 3/8		

- (10) #8 x 1/4" Rh Woodscrews w/Washers
- (12) #8 x 1/4" Fh Woodscrews

3/4" x 6" - 96" Cherry (4.0 Bd. Ft.)



3/4" x 5" - 96" Cherry (3.4 Bd. Ft.)



3/4" x 6" - 60" Cherry (2.5 Bd. Ft.)



ALSO NEEDED: One 24" x 24" sheet of 3/4" cherry plywood