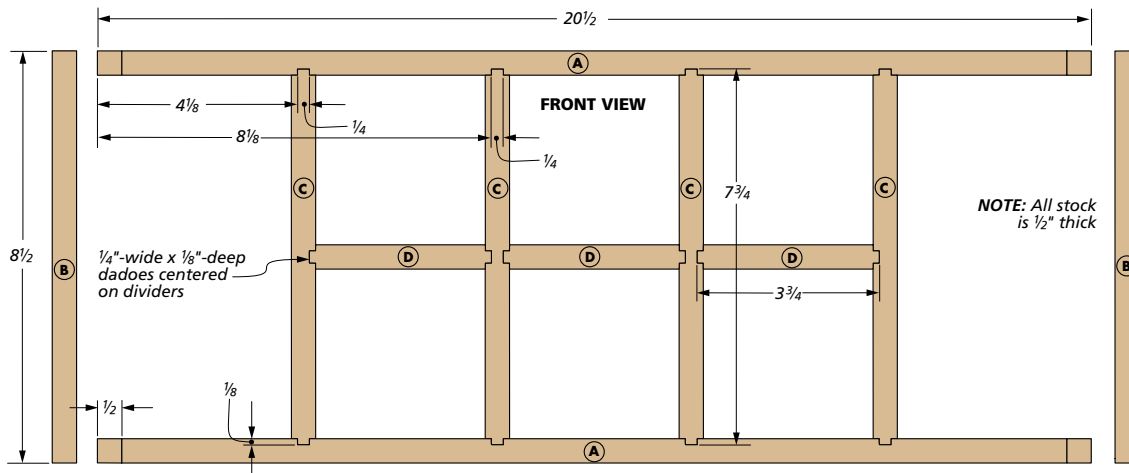
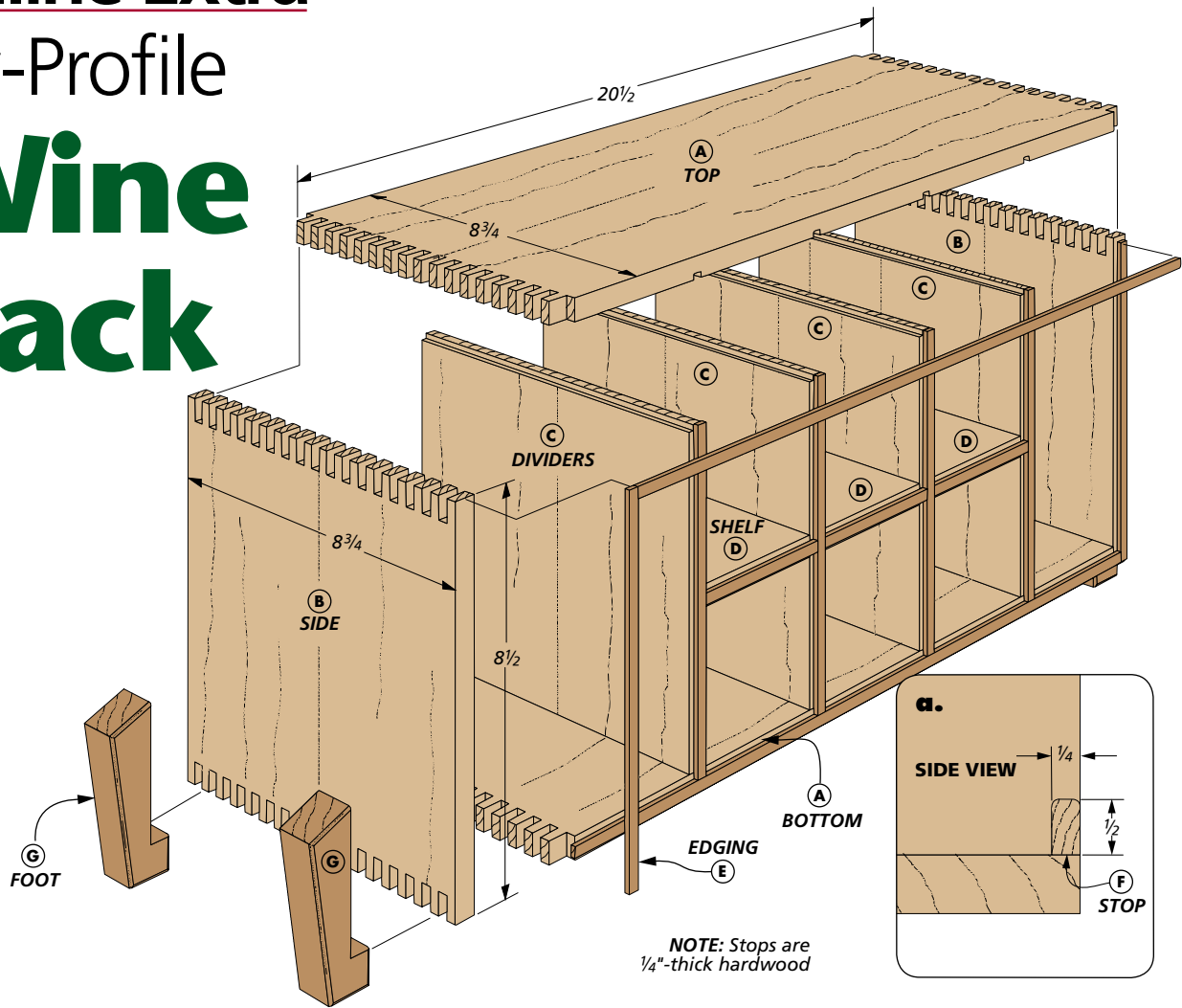


# Online Extra

## Low-Profile

# Wine Rack



### Materials, Supplies & Cutting Diagram

<b>A</b> Top/Bottom (2)	$\frac{1}{2} \times 8\frac{3}{4} - 20\frac{1}{2}$	<b>E</b> Edging (1)	$\frac{1}{4} \times \frac{1}{8} - 108$ (rgh.)
<b>B</b> Sides (2)	$\frac{1}{2} \times 8\frac{3}{4} - 8\frac{1}{2}$	<b>F</b> Stops (8)	$\frac{1}{4} \times \frac{1}{2} - 3\frac{1}{2}$
<b>C</b> Dividers (4)	$\frac{1}{2} \times 8\frac{3}{4} - 7\frac{3}{4}$	<b>G</b> Feet (4)	$1 \times 1\frac{1}{2} - 3\frac{3}{4}$
<b>D</b> Shelves (3)	$\frac{1}{2} \times 8\frac{3}{4} - 3\frac{3}{4}$		