

Online Extra

traditional Oak Bed Full & King Sizes

What do you do if the oak bedroom suite is your first choice for style, but a queen-size bed is the wrong size for you? Simple. Use the materials list below to change a few key dimensions and build a bed that better suits your needs.

The dimensions in these lists and the illustrations that follow have been modified to fit "standard" full and king-size mattresses. However, these standards aren't exactly hard and fast rules, so it's a good idea to have the mattress on hand before you dive into the building process. You can double-check the length of the mattress against the bed rails and the width against the support slats.



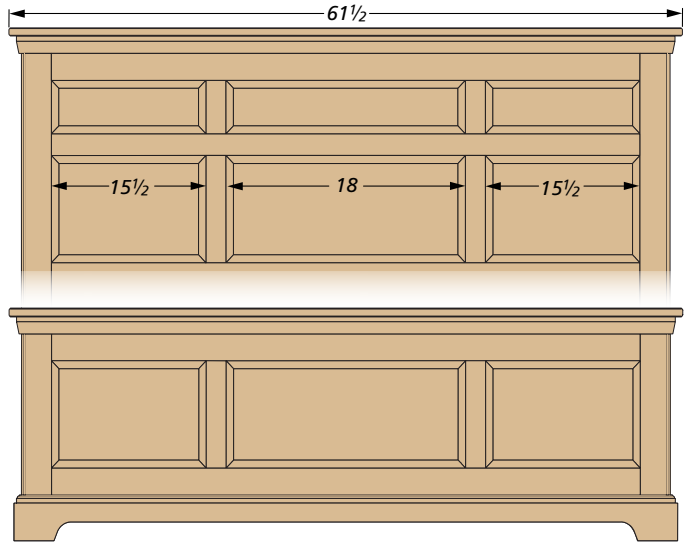
FULL-SIZE OAK BED Materials & Supplies

A Headboard Panel (1)	3/4 ply. - 45 1/4 x 58 3/8	K Footboard Stiles (4)	3/4 x 2 11/16 - 20 7/8	U Footboard Top Cap (1)	3/4 x 4 - 61 1/2
B Headboard Stiles (4)	3/4 x 2 11/16 - 47	L Footboard Upper Rails (2)	3/4 x 4 1/8 - 53	V Bed Rails (2)	3/4 x 7 1/4 - 75
C Headboard Upper Rail (1)	3/4 x 4 1/8 - 53	M Footboard Lower Rail (1)	3/4 x 5 - 53	W Bed Rail Caps (2)	3/4 x 1 1/2 - 75
D Headboard Middle Rail (1)	3/4 x 2 - 53	N Footboard Center Stiles (2)	3/4 x 2 - 10	X Cleats (2)	3/4 x 3/4 - 75
E Headboard Lower Rails (2)	3/4 x 5 - 53	O Footboard End Caps (2)	5/16 x 2 1/4 - 20 7/8	Y Support Slats (7)	3/4 x 3 1/4 - 54 3/4
F Headboard Upper Stiles (2)	3/4 x 2 - 5	P Headboard Top Cap (1)	3/4 x 3 1/4 - 61 1/2		
G Headboard Lower Stiles (2)	3/4 x 2 - 10	Q Bevel Molding (1)	1/2 x 1 5/8 - 19 ft. rgh.		• (4) Bed Rail Brackets
H Headboard End Caps (2)	5/16 x 2 1/4 - 47	R Baseboard (1)	3/4 x 3 1/2 - 13 ft. rgh.		• (38) #8 x 1 1/4" Fh Woodscrews
I Headboard Trim (1)	3/4 x 3/4 - 74 rgh.	S Baseboard Molding (1)	1/2 x 3/4 - 13 ft. rgh.		• (20) #8 x 3/4" Fh Woodscrews
J Footboard Panel (1)	3/4 ply. - 19 1/8 x 58 3/8	T Panel Molding (1)	1/2 x 3/4 - 47 ft. rgh.		

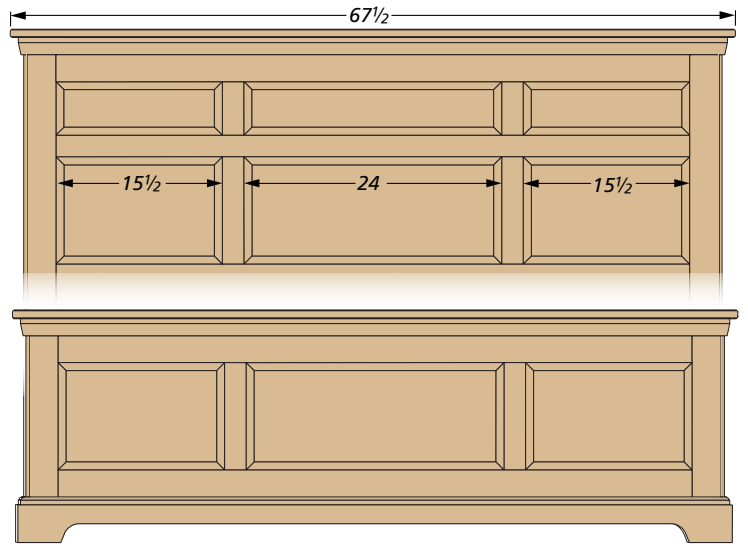
KING-SIZE OAK BED Materials & Supplies

A Headboard Panel (1)	3/4 ply. - 45 1/4 x 80 3/8	K Footboard Stiles (4)	3/4 x 2 11/16 - 20 7/8	U Footboard Top Cap (1)	3/4 x 4 - 83 1/2
B Headboard Stiles (4)	3/4 x 2 11/16 - 47	L Footboard Upper Rails (2)	3/4 x 4 1/8 - 75	V Bed Rails (2)	3/4 x 7 1/4 - 80
C Headboard Upper Rail (1)	3/4 x 4 1/8 - 75	M Footboard Lower Rail (1)	3/4 x 5 - 75	W Bed Rail Caps (2)	3/4 x 1 1/2 - 80
D Headboard Middle Rail (1)	3/4 x 2 - 75	N Footboard Center Stiles (2)	3/4 x 2 - 10	X Cleats (2)	3/4 x 3/4 - 80
E Headboard Lower Rails (2)	3/4 x 5 - 75	O Footboard End Caps (2)	5/16 x 2 1/4 - 20 7/8	Y Support Slats (7)	3/4 x 3 1/4 - 76 3/4
F Headboard Upper Stiles (2)	3/4 x 2 - 5	P Headboard Top Cap (1)	3/4 x 3 1/4 - 83 1/2		
G Headboard Lower Stiles (2)	3/4 x 2 - 10	Q Bevel Molding (1)	1/2 x 1 5/8 - 24 ft. rgh.		• (4) Bed Rail Brackets
H Headboard End Caps (2)	5/16 x 2 1/4 - 47	R Baseboard (1)	3/4 x 3 1/2 - 18 ft. rgh.		• (38) #8 x 1 1/4" Fh Woodscrews
I Headboard Trim (1)	3/4 x 3/4 - 96 rgh.	S Baseboard Molding (1)	1/2 x 3/4 - 18 ft. rgh.		• (20) #8 x 3/4" Fh Woodscrews
J Footboard Panel (1)	3/4 ply. - 19 1/8 x 80 3/8	T Panel Molding (1)	1/2 x 3/4 - 58 ft. rgh.		

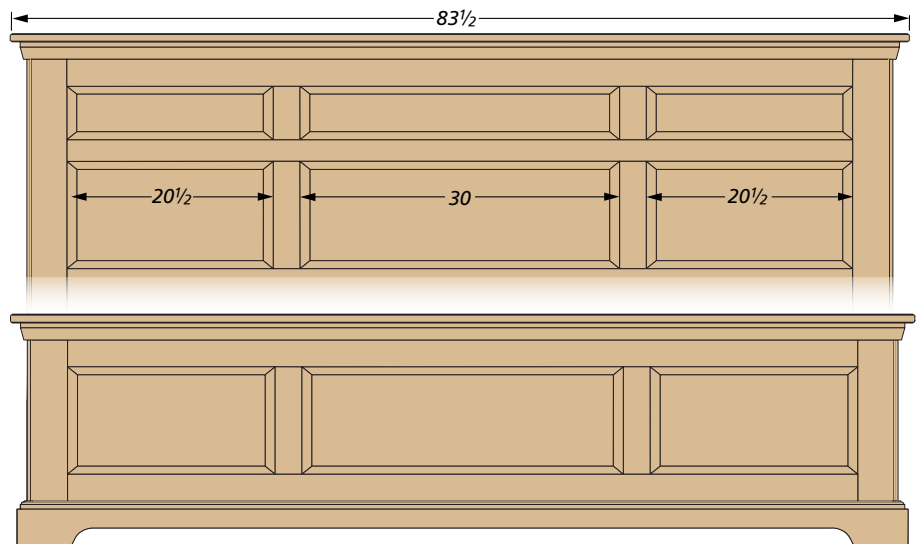
Full, Queen & King Panel Width Dimensions



**FULL SIZE BED
END VIEW**



**QUEEN SIZE BED
END VIEW**



**KING SIZE BED
END VIEW**