

# Online Extra

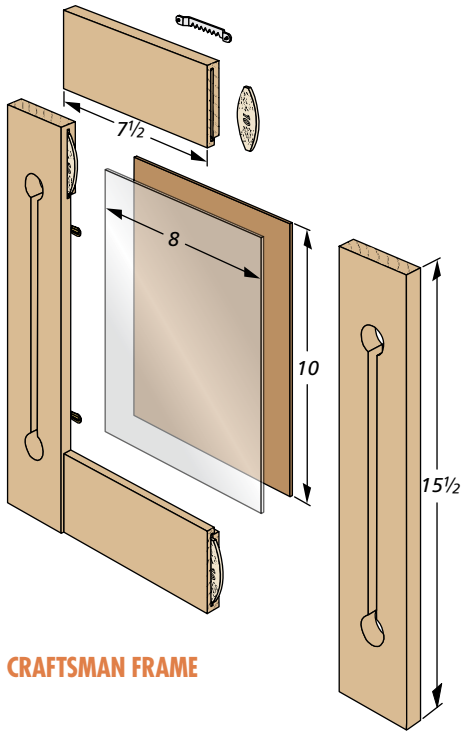
## 8x10 versions

# Picture Frames

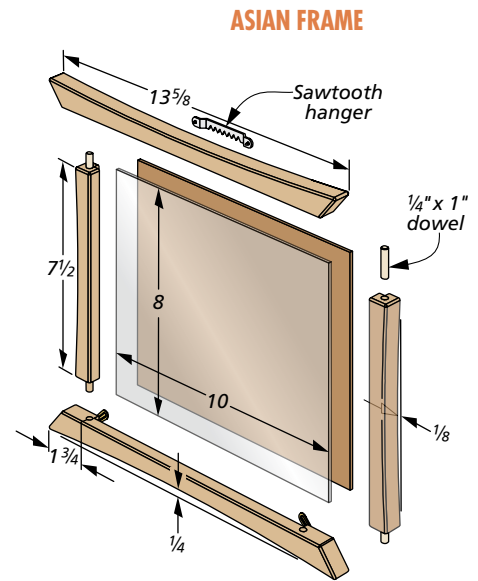
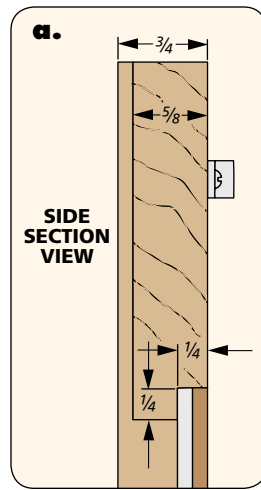
The miterless picture frames featured in *Woodsmith* No. 233 are all sized for 5x7 photographs. Below is all the information that you need to make

8x10 versions of the three frames. All that changes in the craftsman and modern frame is the length of the stiles, rails, and inlay pieces.

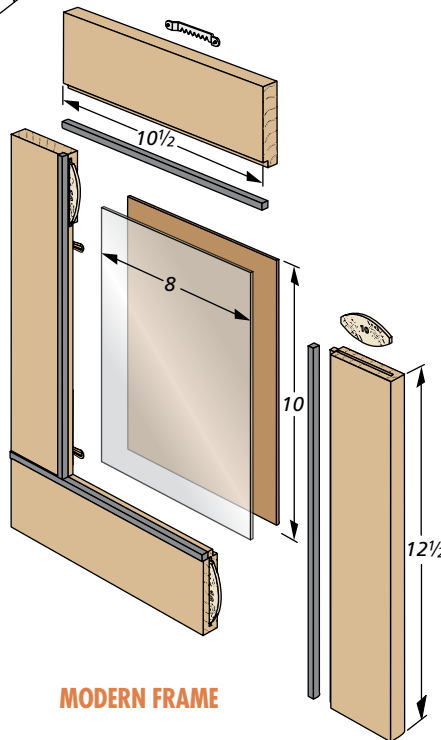
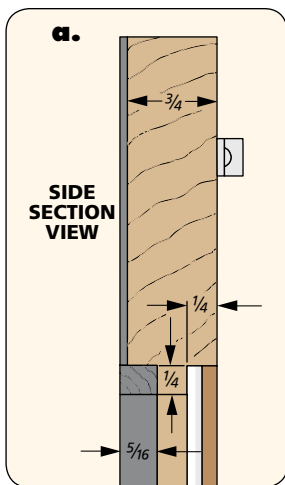
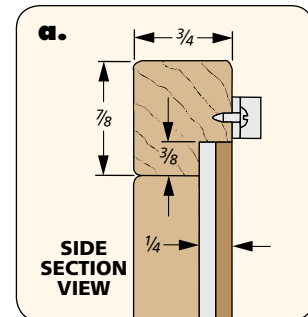
The Asian frame has the most changes in part sizes. And unlike the smaller frame, the 8x10 version uses a sawtooth hanger like the other frames.



**CRAFTSMAN FRAME**



**ASIAN FRAME**



**MODERN FRAME**

