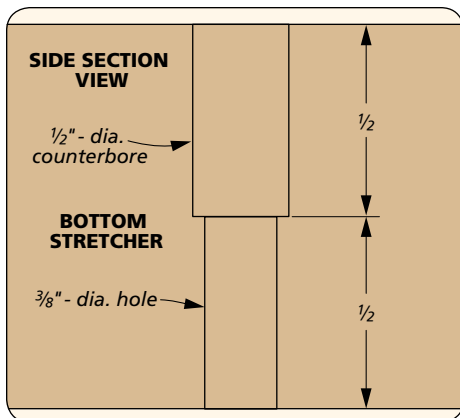
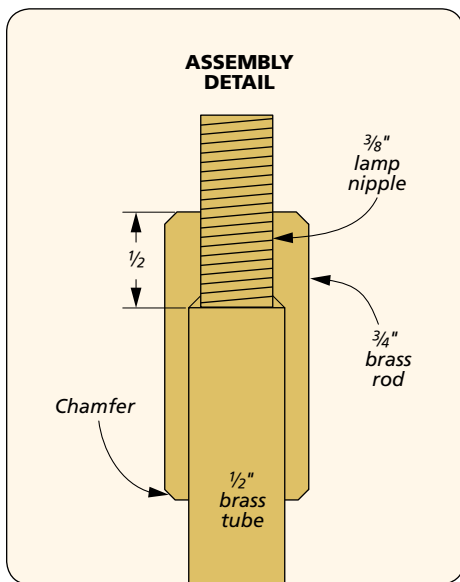


Online Extra

Standing mirror Floor Lamp Lighting



Ordering the socket, cord, switch and plug from Sundialwire.com tackles a lot of the wiring problems involved with the floor lamp. They will install the plug and switch on the cord that you choose. They also let you designate the distance of the switch from the non-plug end of the cord. (For this floor lamp, 60" proved to be a good number.)

THIRD: Thread the wire through the metal parts and wire the socket

SECOND: Drill holes in brass rod. Then attach brass tube and nipple with epoxy

FIRST: Cut to brass tube to length

