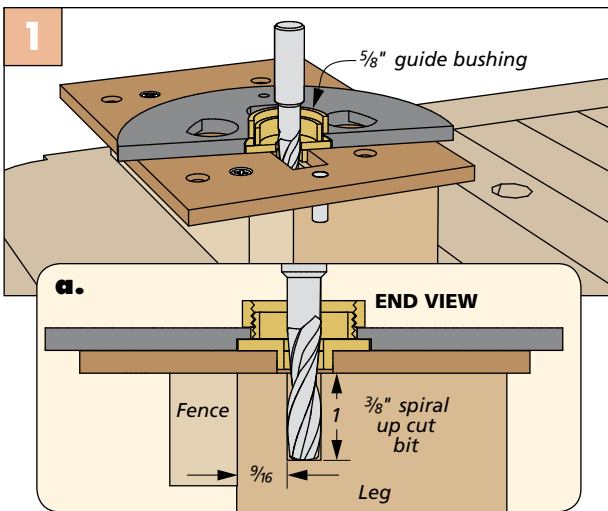
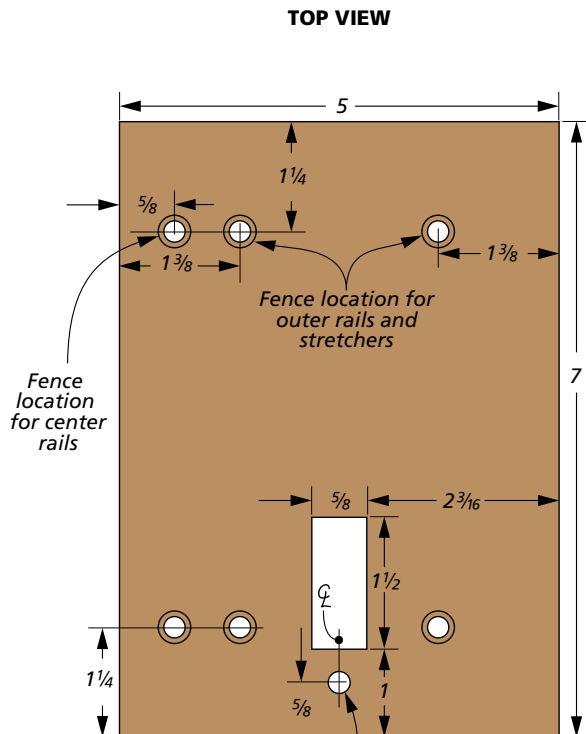
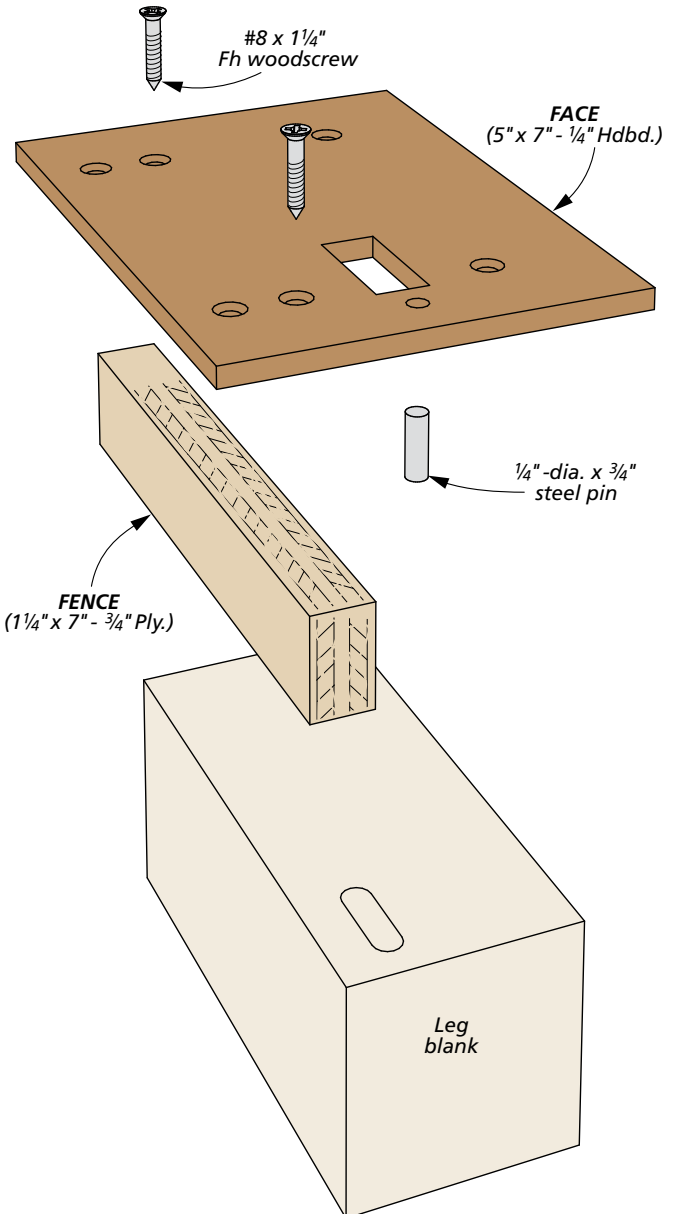
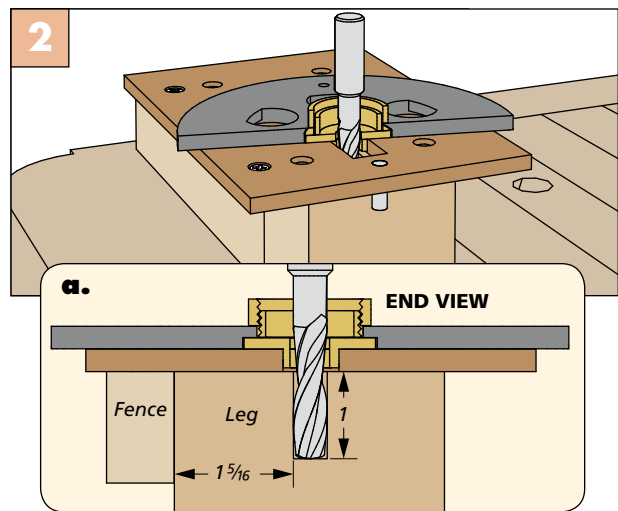


# Online Extra

# Console Leg Mortising Jig



**Edge Mortises.** Set the fence to rout the first set of edge mortises. Then move the fence to the other side to rout the mortises on the opposite edges.



**Center Mortise.** After adjusting the fence you can rout the mortises in the two center legs for the center rail that's hidden in the base.