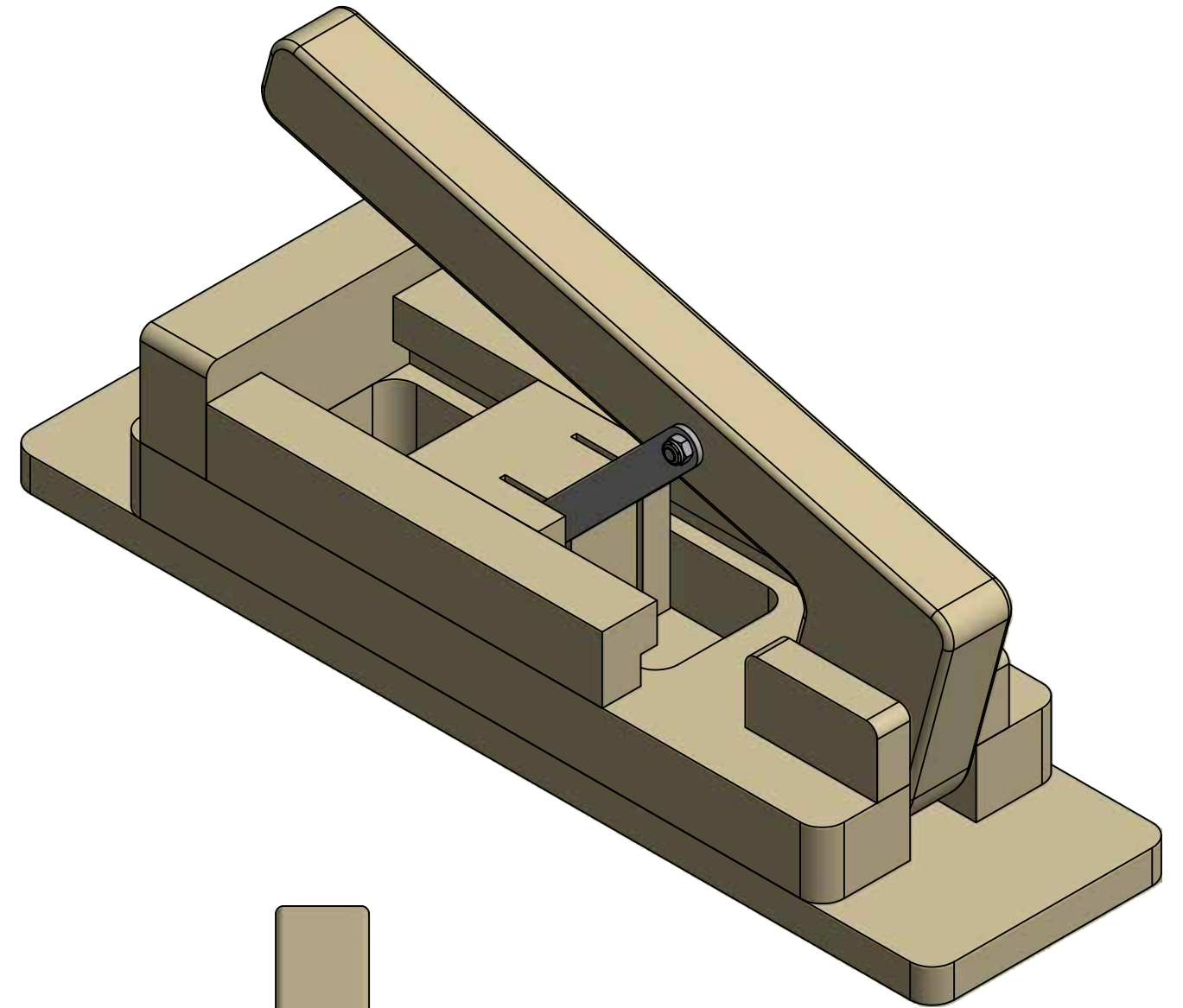
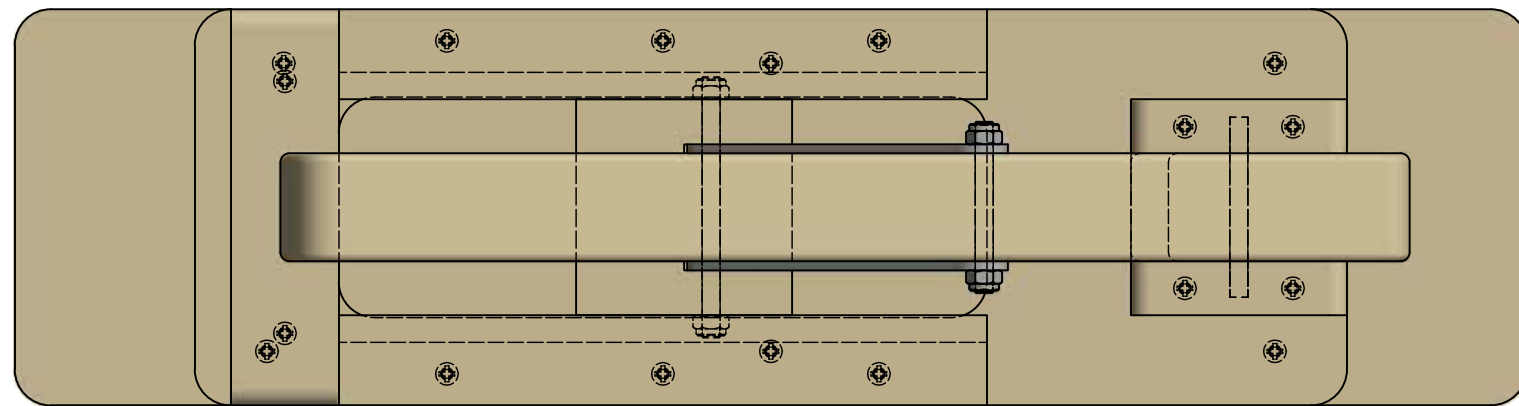
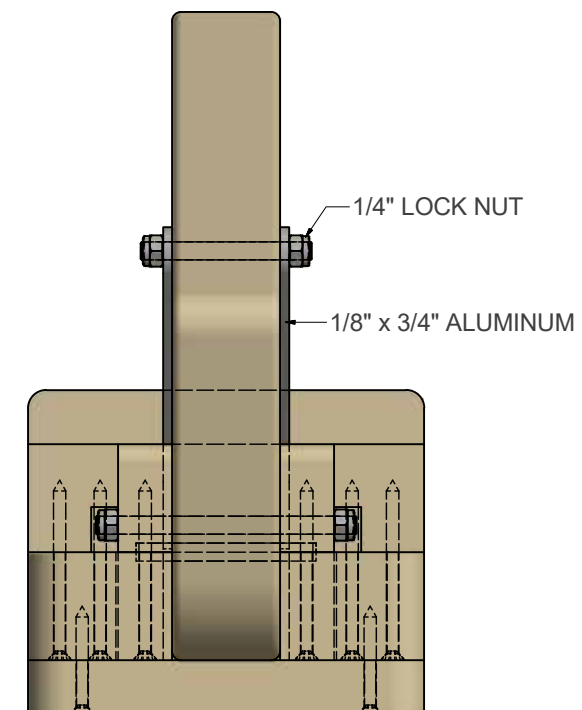
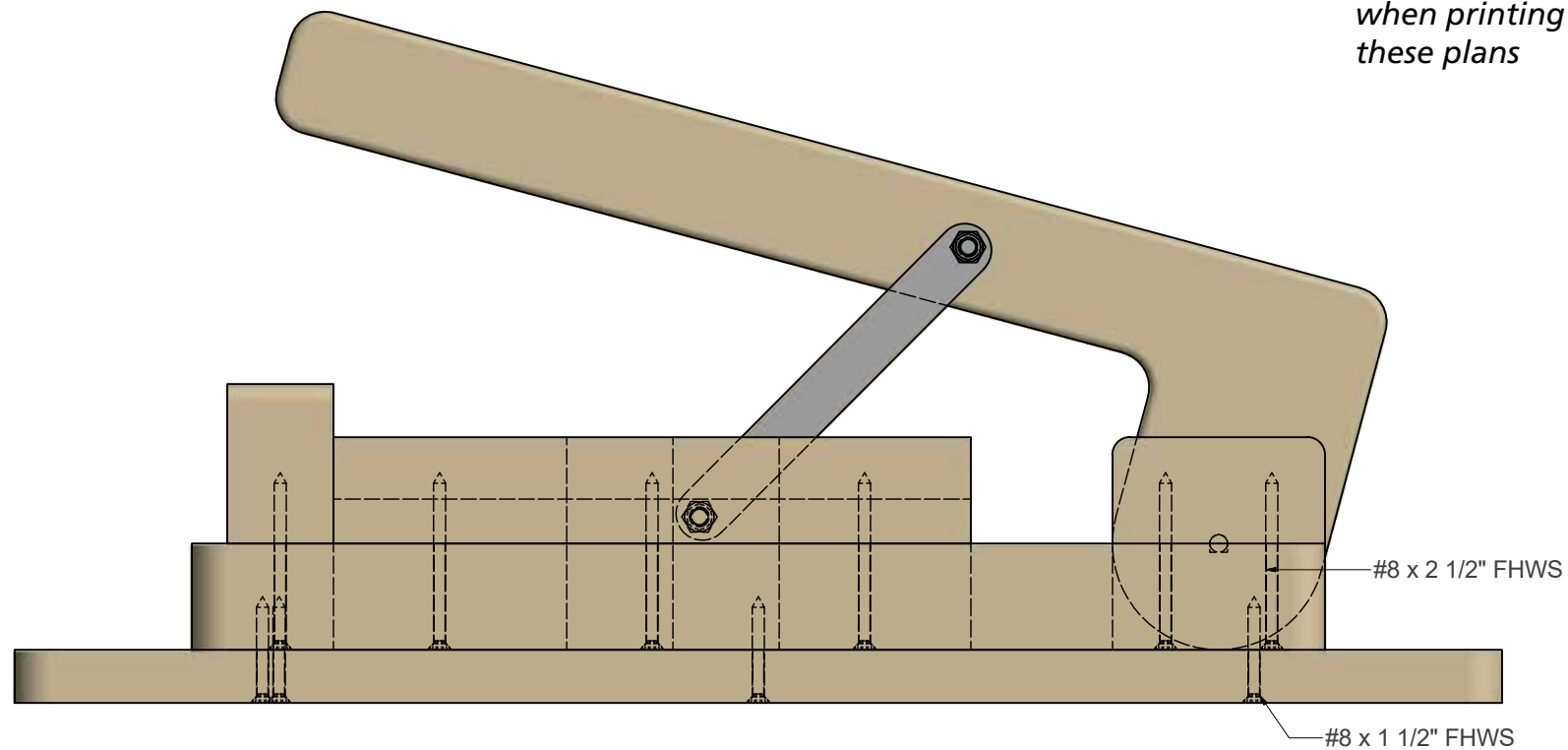
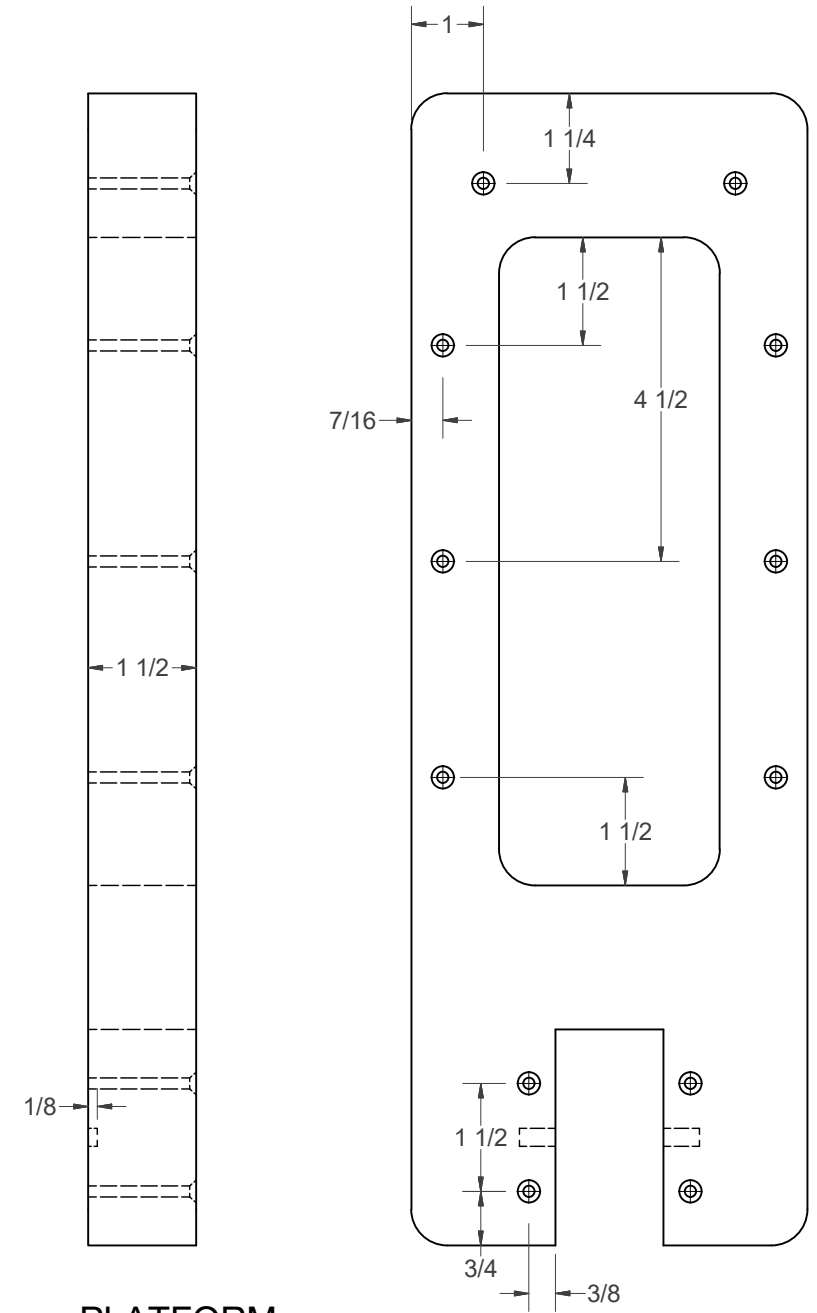
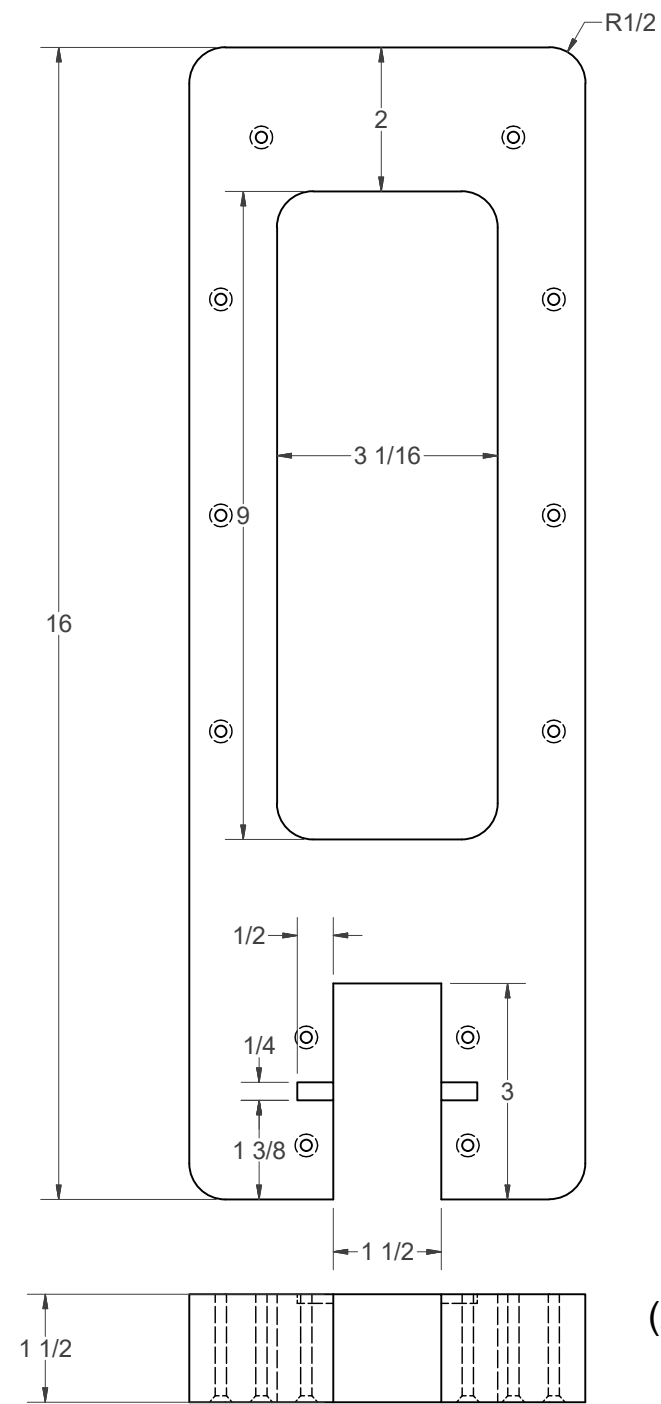
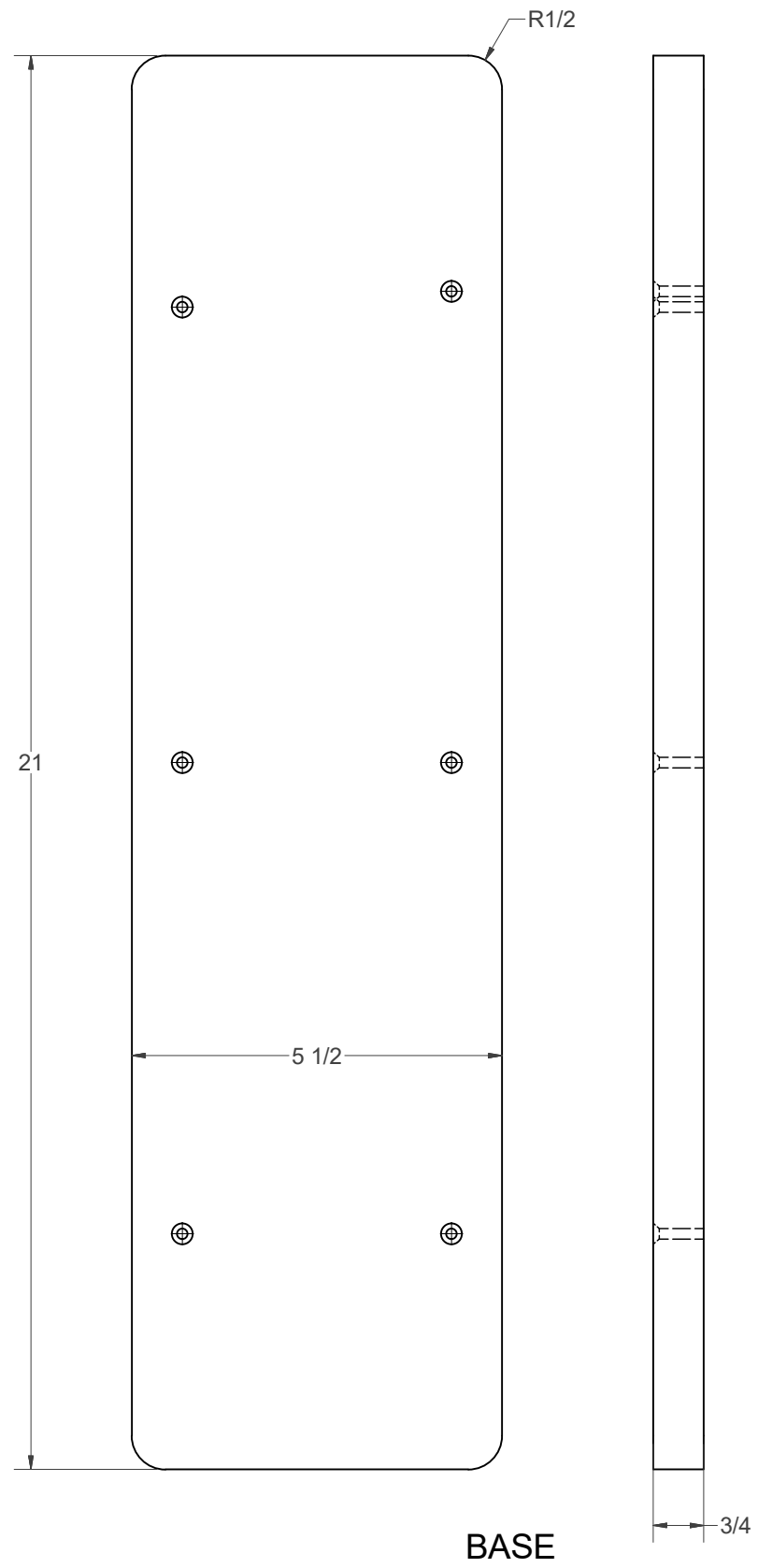


Online Extra Can Crusher Plans

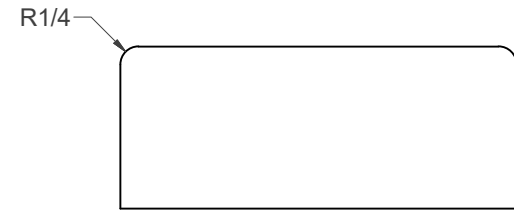
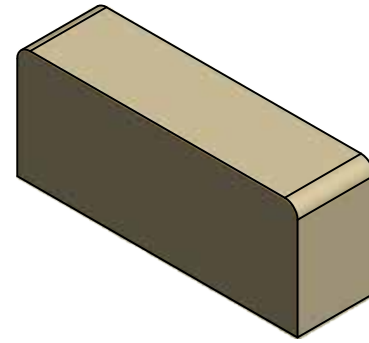
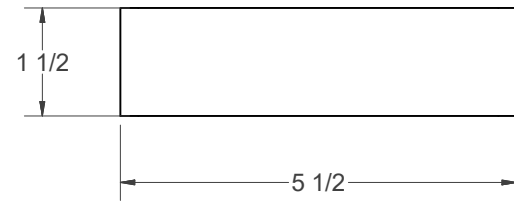


NOTE: Select
"Print to Fit"
when printing
these plans

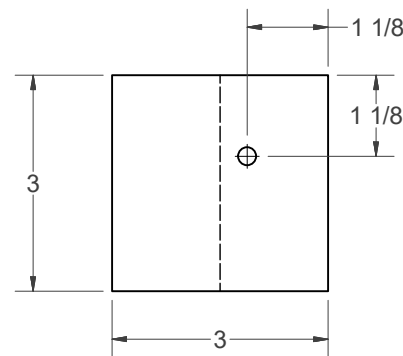
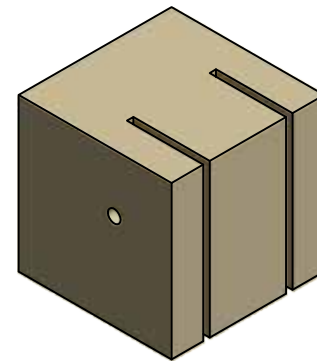
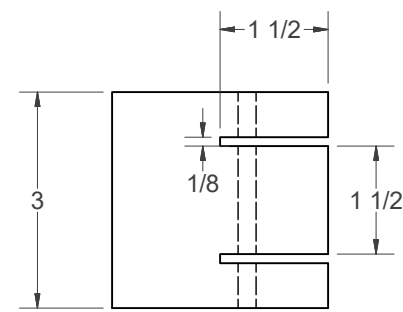




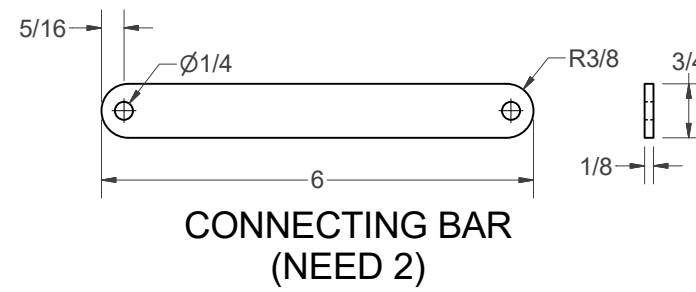
**PLATFORM
(2 LAYERS OF 3/4" PLYWOOD)**



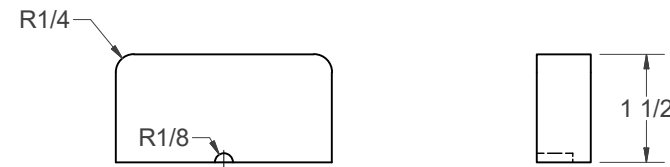
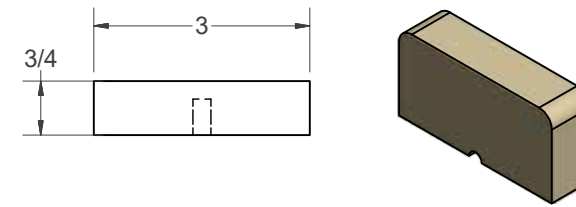
FRONT WALL
(2 LAYERS OF 3/4" PLYWOOD)



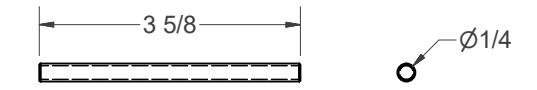
CRUSH BLOCK
(4 LAYERS OF 3/4" PLYWOOD)



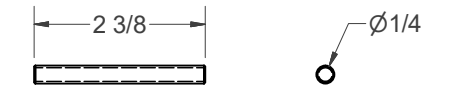
CONNECTING BAR
(NEED 2)



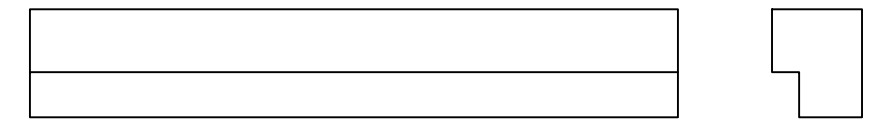
PIVOT BLOCK
(NEED 2)



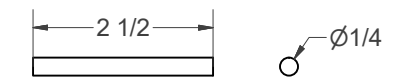
CRUSH BLOCK ROD
(1/4"-20 THREADED ROD)



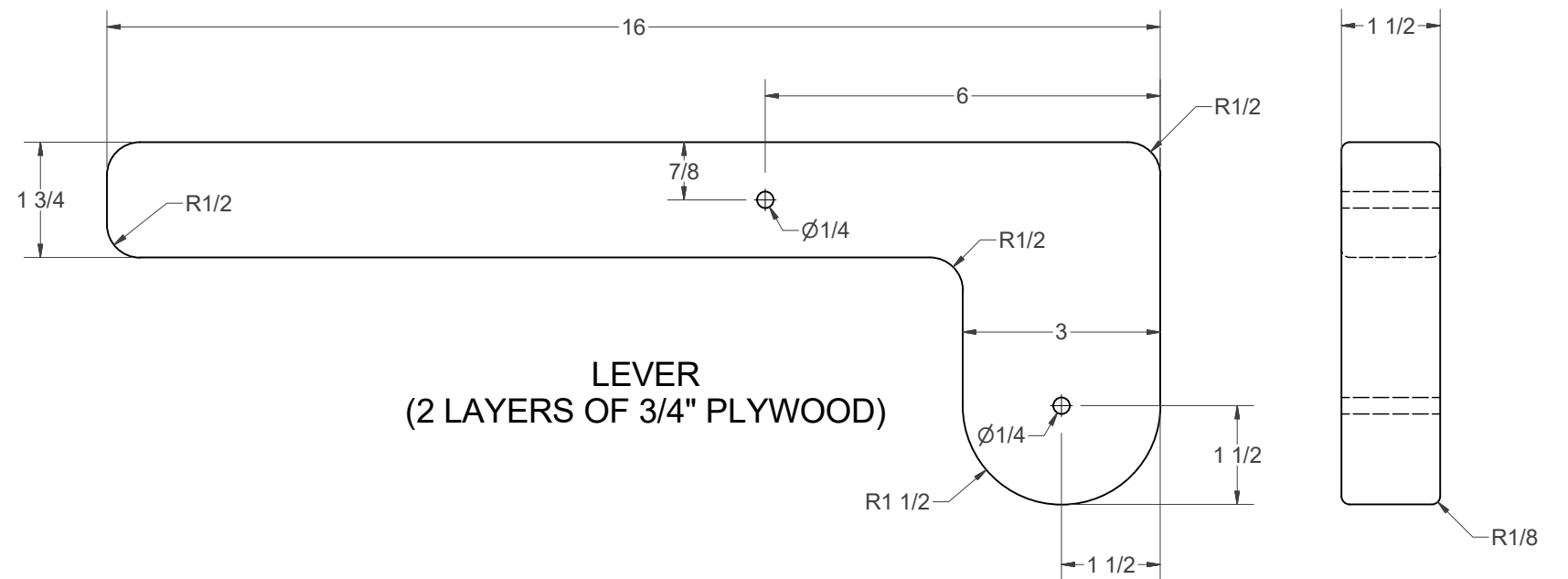
LEVER ROD
(1/4"-20 THREADED ROD)



TRACK
(LAYERS OF 3/4" & 1/2" PLYWOOD)
(NEED 2)



PIVOT SHAFT
(1/4" STEEL PIN)



LEVER
(2 LAYERS OF 3/4" PLYWOOD)