

# Online Extra

full-size patterns

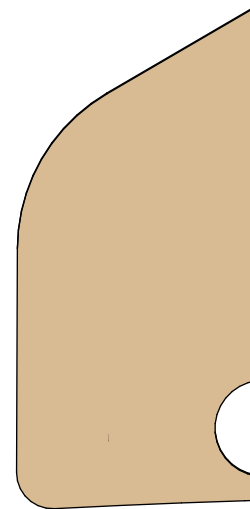
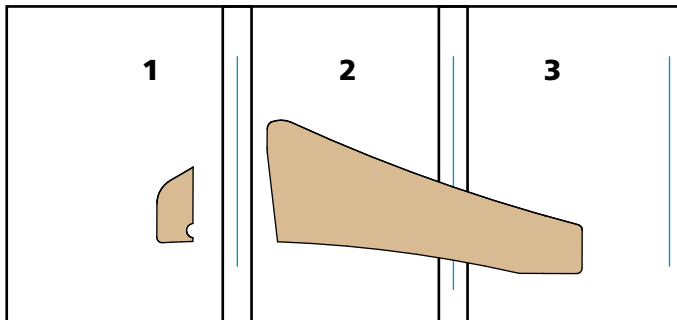
## 10" Clamp

1

**BLUE**- Pattern alignment lines

### 10" SLIDING JAW CORE

*NOTE: Print patterns with printer set to "actual" size*

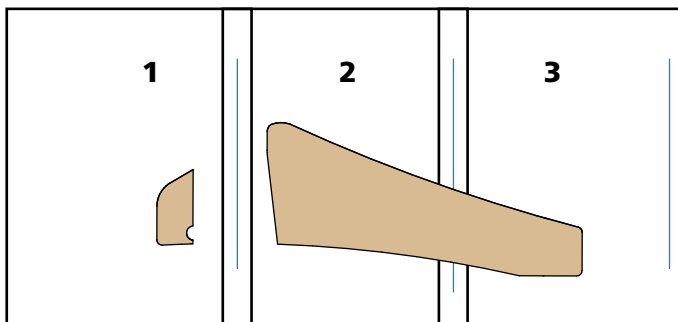
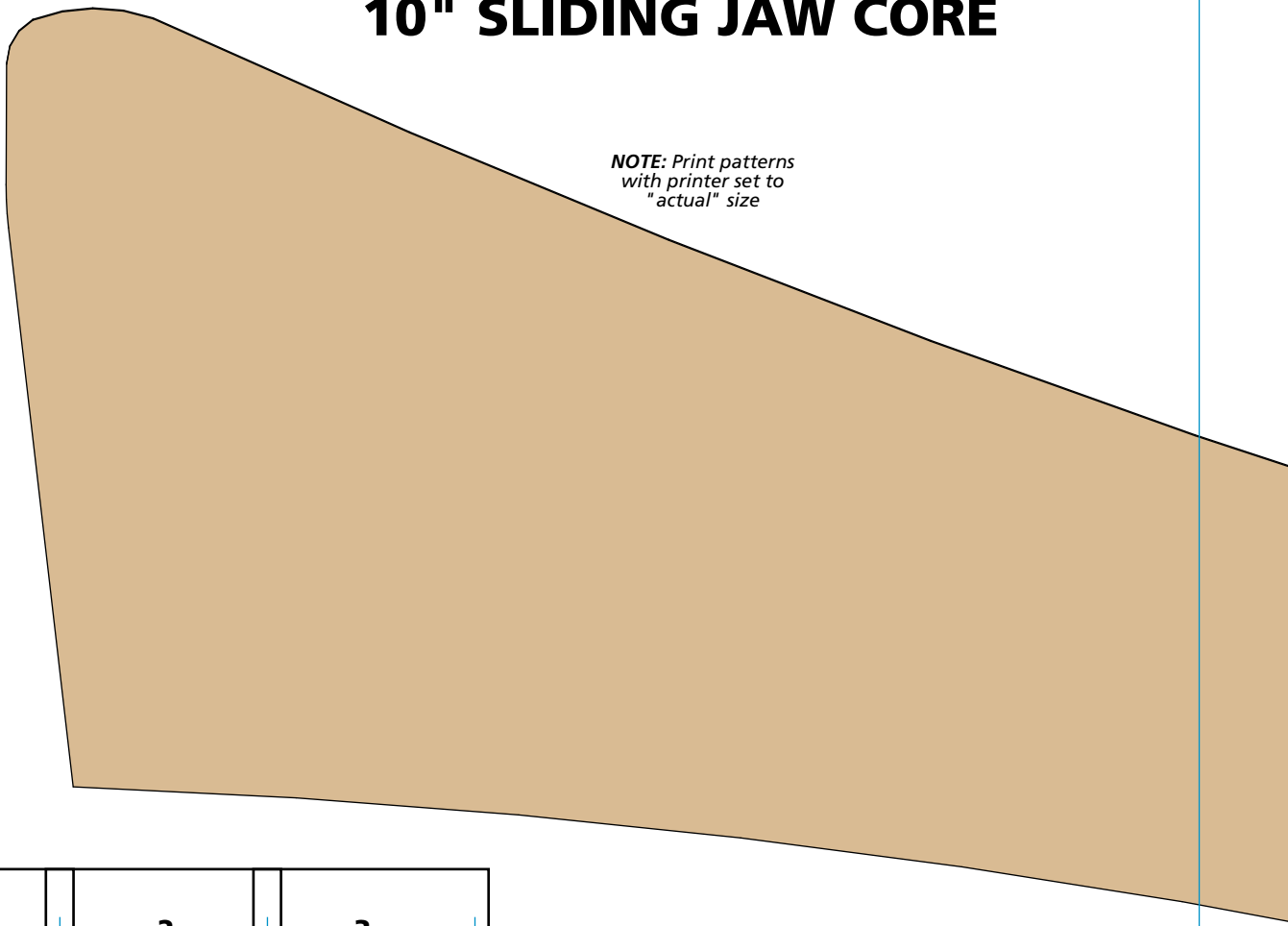


# 2

**BLUE**- Pattern alignment lines

## 10" SLIDING JAW CORE

*NOTE: Print patterns with printer set to "actual" size*



# 3

**BLUE**- Pattern alignment lines

## 10" SLIDING JAW CORE

*NOTE: Print patterns with printer set to "actual" size*

