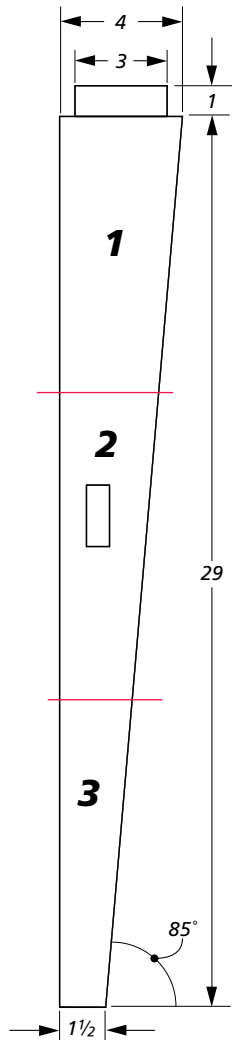


Desk Leg Patterns

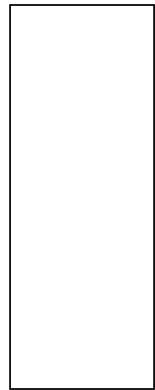


NOTE: Set printer to actual size

1

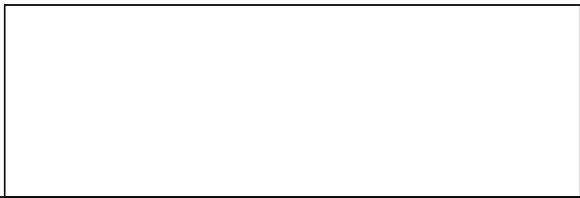
NOTE: Attach templates together at red, alignment line

2

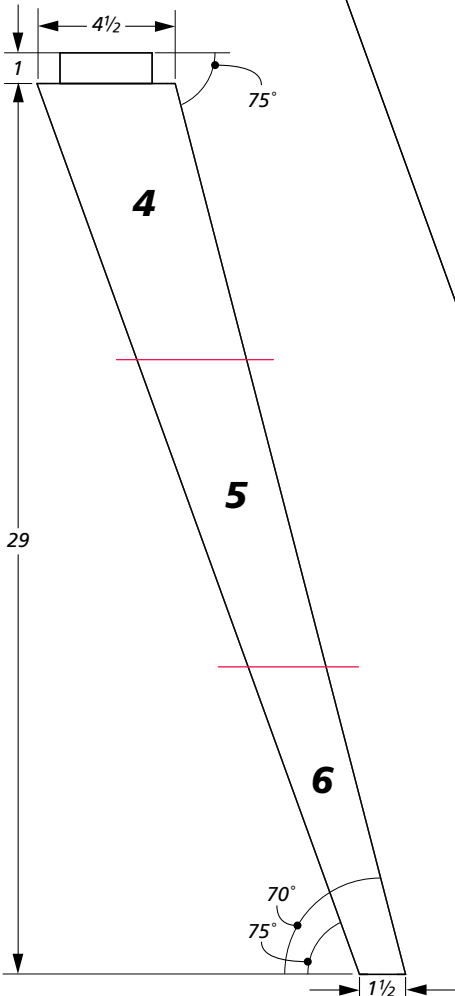


Mortise

3



4



NOTE: Attach templates together at red, alignment line

5

6