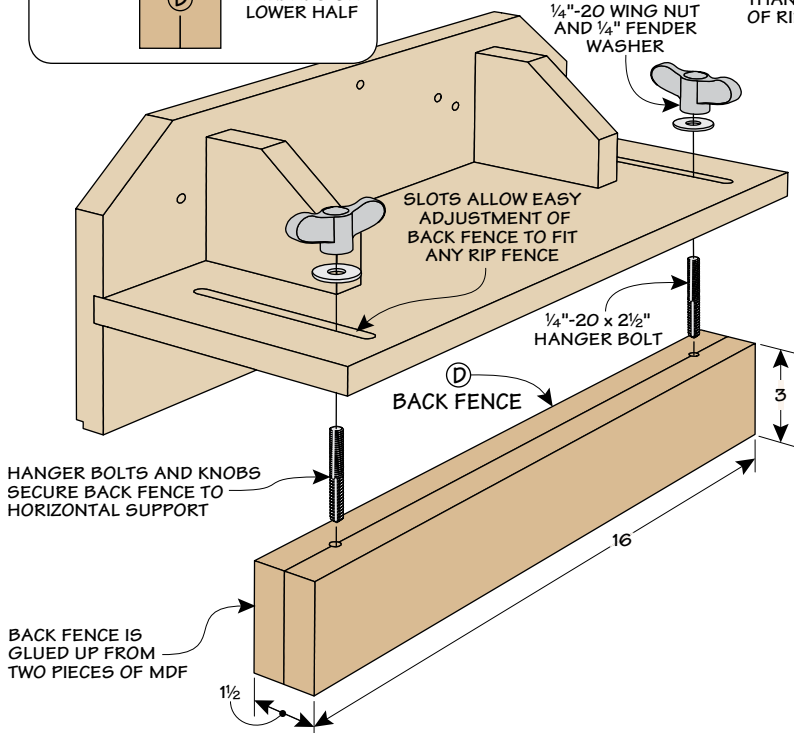
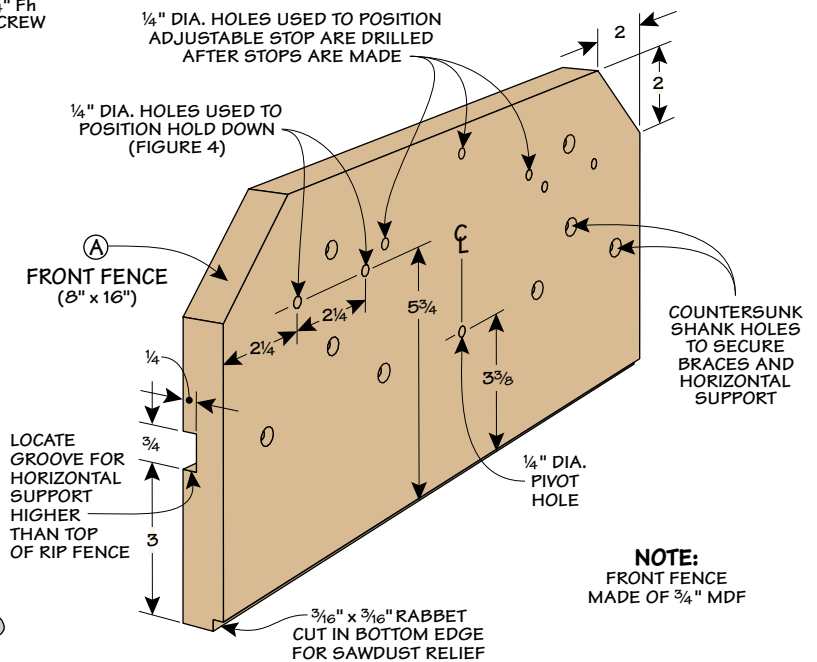
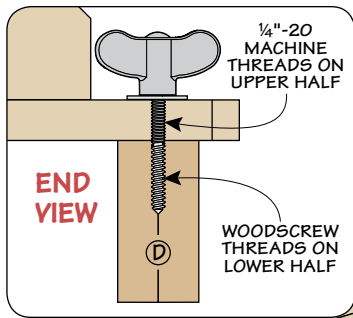
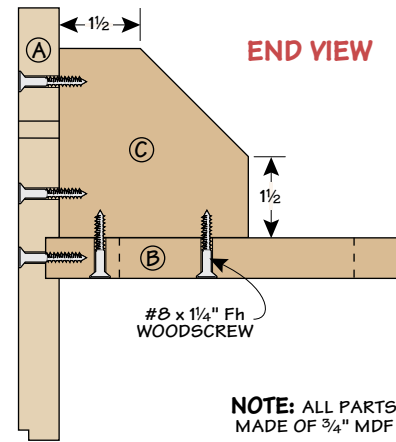
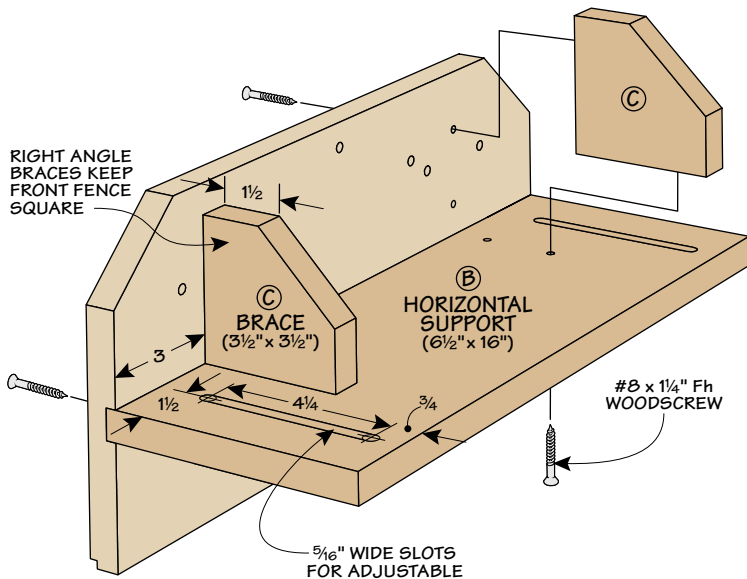


Vertical Table Saw Jig



The jig shown here is designed to be a multi-purpose jig for your table saw. Not only can it be used to hold a workpiece vertical to cut tenons, but it can also be used to hold a workpiece to cut bevels at angles not possible with the workpiece laying flat.

MDF BONES. As you can see in the drawing, all of the parts are made from MDF. The jig should be sized to fit over your rip fence, but be a fit that allows it to slide freely back and forth while holding a workpiece.

USING THE JIG. To use the jig, you have a couple of different options. You can attach vertical stops with screws to back up the workpiece. Or, you can use counter sunk holes, as you see in the drawing above, to mount cleats with bolts.

When using the jig to cut bevels, I've found it is easiest to remove all cleats and use a pair of clamps to hold the workpiece against the upright. Once the workpiece is clamped in place, you can simply position the fence, with attached jig, and make your cut.