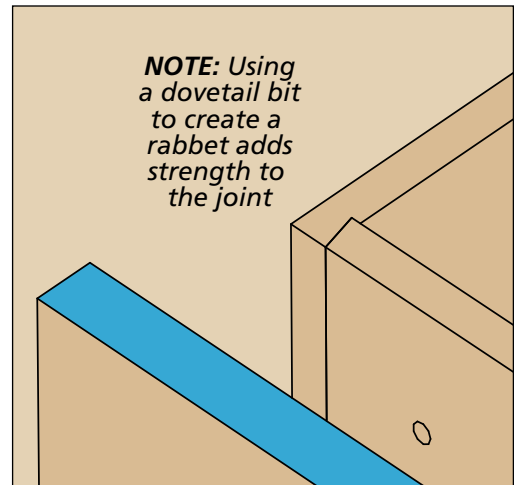


Drawer joinery with Rabbeted Dovetails



The Armoire that is featured in *Woodsmith 255* has four drawers. As you see in the drawing above, the fronts of the drawers are joined to the sides with rabbeted dovetails. It's a clever way to add a little more strength to a drawer joint.

RABBETED DOVETAILS. The process starts with installing a 14° dovetail bit in the router table. First, cut the dovetails in all the fronts. All you have to do is lay them flat on the table and use a backer board to prevent blow out. Figure 1 shows this procedure. The tall auxiliary fence you see here lets me set up the router table one time for both parts. As for the dovetails in the side, all you have to do is stand the inside face against the fence, as you see in Figure 2.

